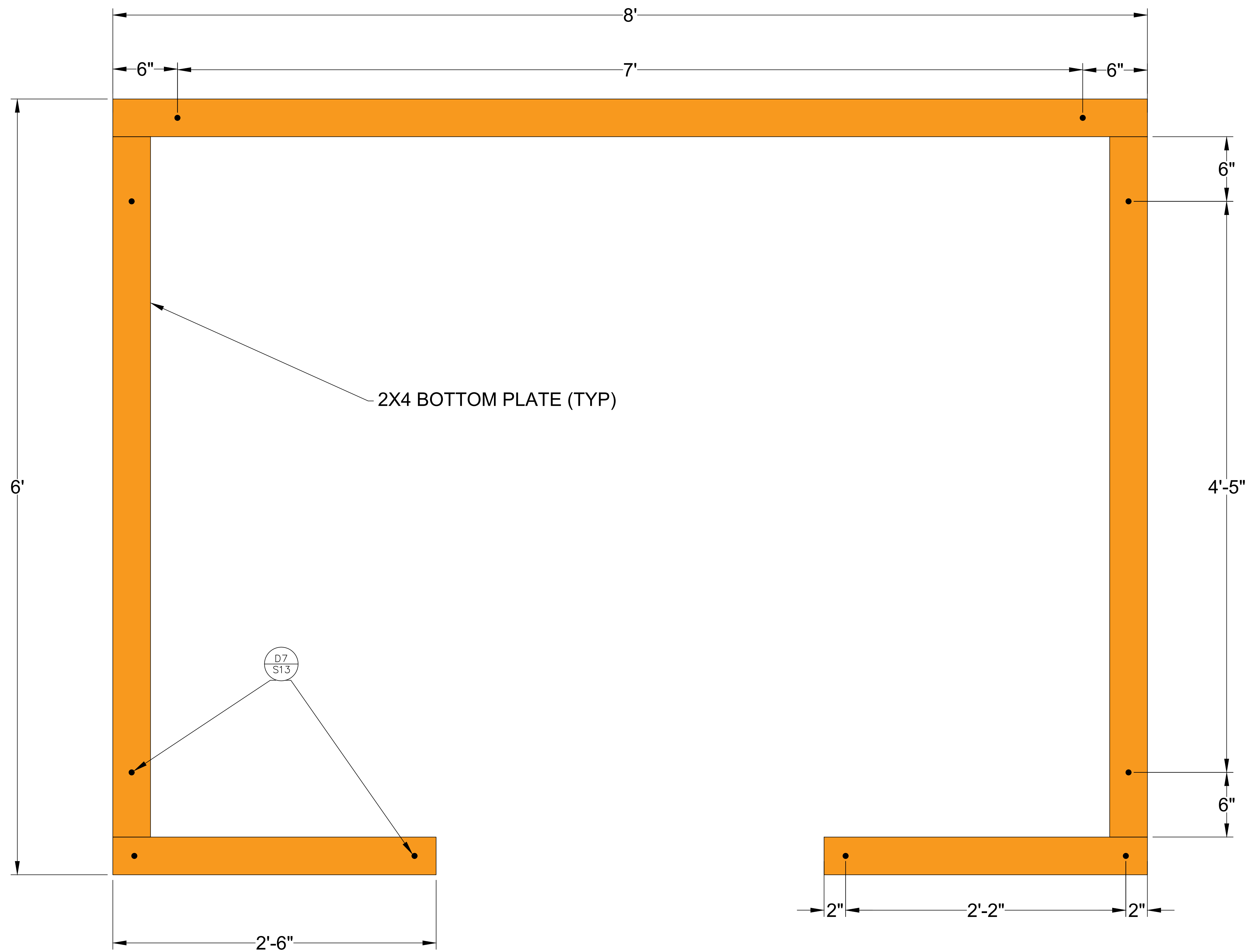




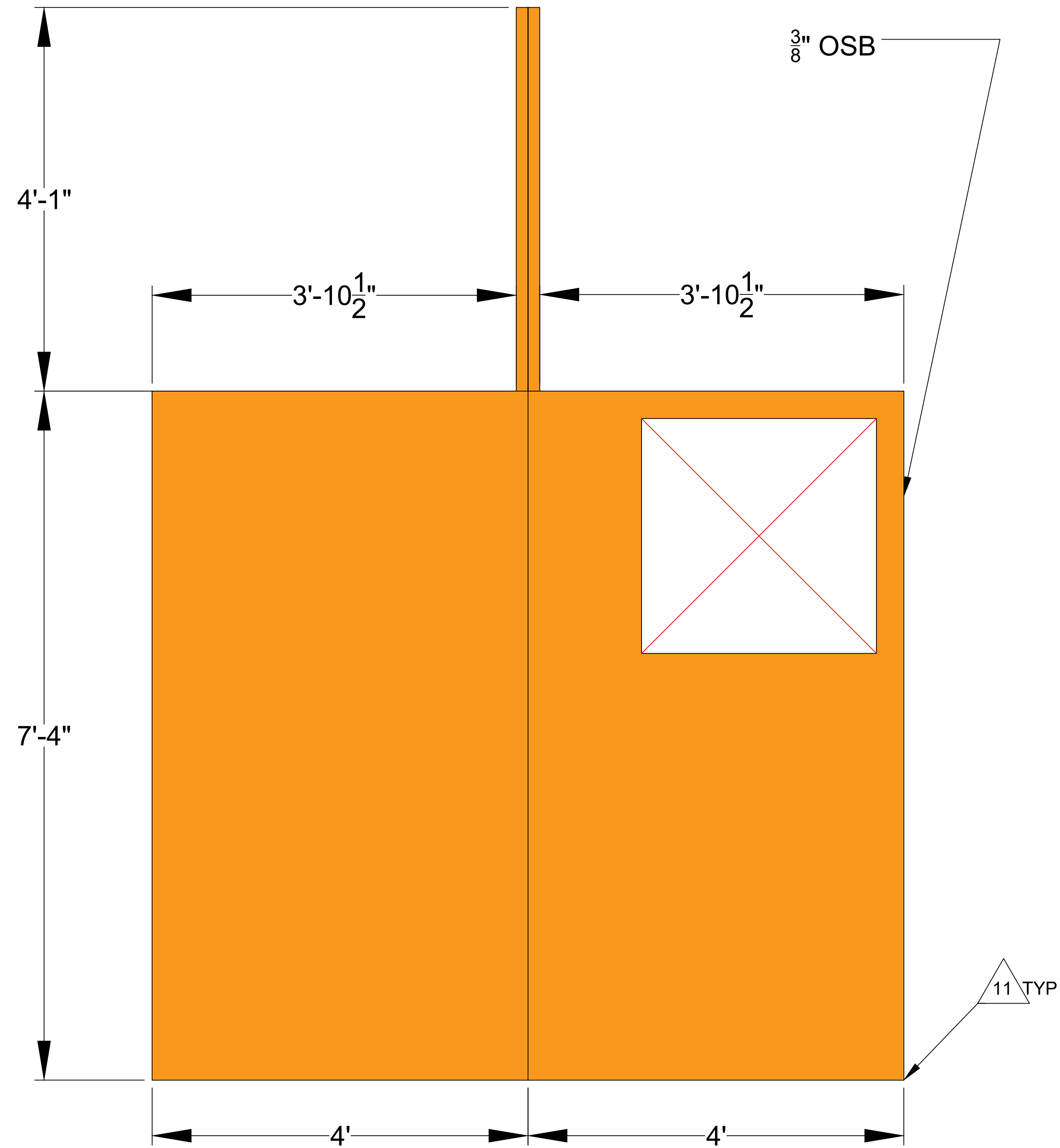
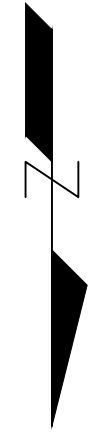
GENERAL NOTES:

1. ALL MEMBERS ARE GR. 2 HEM FIR
2. ALL MEMBERS ARE NOMINAL SIZES
3. SHEATHING IS  $\frac{3}{8}$ " OSB
4. ALL MEMBERS ARE NOMINAL 2X4 U.N.O.
5. REFER TO MANUFACTURERS INSTRUCTIONS FOR HARDWARE INSTALLATION

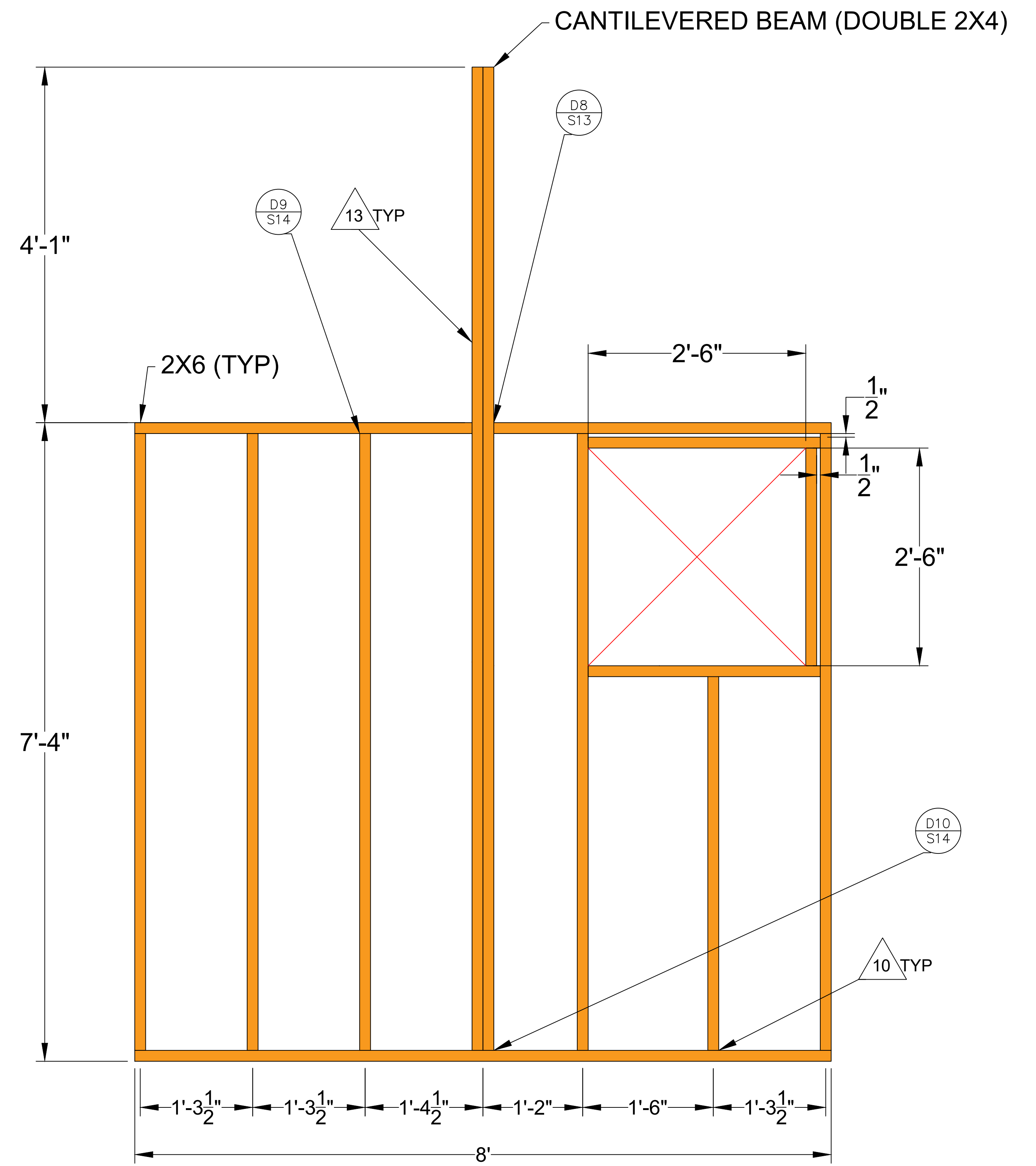
2025 TIMBERSTRONG COMPETITION FASTENER SCHEDULE FOR STRUCTURAL MEMBERS				
ITEM	DESCRIPTION OF BUILDING ELEMENTS	TYPE OF FASTENER	NUMBER REQUIRED	SPACING
<b>WALL</b>				
1	TOP OR BOTTOM PLATE TO STUD, END NAIL	16D	3	-
2	BLOCKING BETWEEN STUDS, END NAIL	16D	3	-
3	ABUTTING STUDS AT DOORWAY, FACE NAIL	16D	-	6" O.C.
4	BUILT UP HEADER, (2) PIECES	16D	-	4" O.C.
5	CONTINUOUS HEADER TO STUD, TOE NAIL	16D	2	-
6	DOUBLE TOP PLATE, FACE NAIL	16D	-	12" O.C.
7	ABUTTING STUDS AT INTERSECTIONS OF WALL CORNERS, FACE NAIL	16D	-	12" O.C.
8	SILL PLATE BETWEEN JACK STUDS, END NAIL	16D	3	-
9	SHEATHING TO WALL PANELS, FACE NAIL	VARIES	=	VARIES
<b>FLOOR</b>				
10	JOIST TO RIM JOIST, END NAIL	16D	3	-
11	FLOOR SHEATHING TO JOISTS, FACE NAIL	8D	-	6" O.C.
12	RIM JOIST TO FIRST FLOOR, TOE NAIL	16D	-	6" O.C.
13	CANTILEVERED BEAMS, FACE NAIL	16D	-	4" O.C.
14	SECOND STORY TO FIRST FLOOR, FACE NAIL	16D	-	6" O.C.
<b>ROOF</b>				
15	RAFTER TO TOP PLATE, TOE NAIL	16D	3	-
16	RAFTER TO RIDGE BEAM, TOE NAIL	16D	3	-
17	RIDGE BEAM COLUMN TO TOP PLATE/RIDGE BEAM, TOE NAIL	16D	3	-
18	RIDGE BEAM MEMBERS, FACE NAIL	16D	-	6" O.C.
19	STRUCTURAL SUPPORT COMPONENTS, FACE NAIL	16D	-	6" O.C.
20	SHEATHING TO ROOF PANELS, FACE NAIL	8D	-	6" O.C.
21	FACIA TO RAFTER, FACE NAIL	16D	3	-



# FOUNDATION PLAN

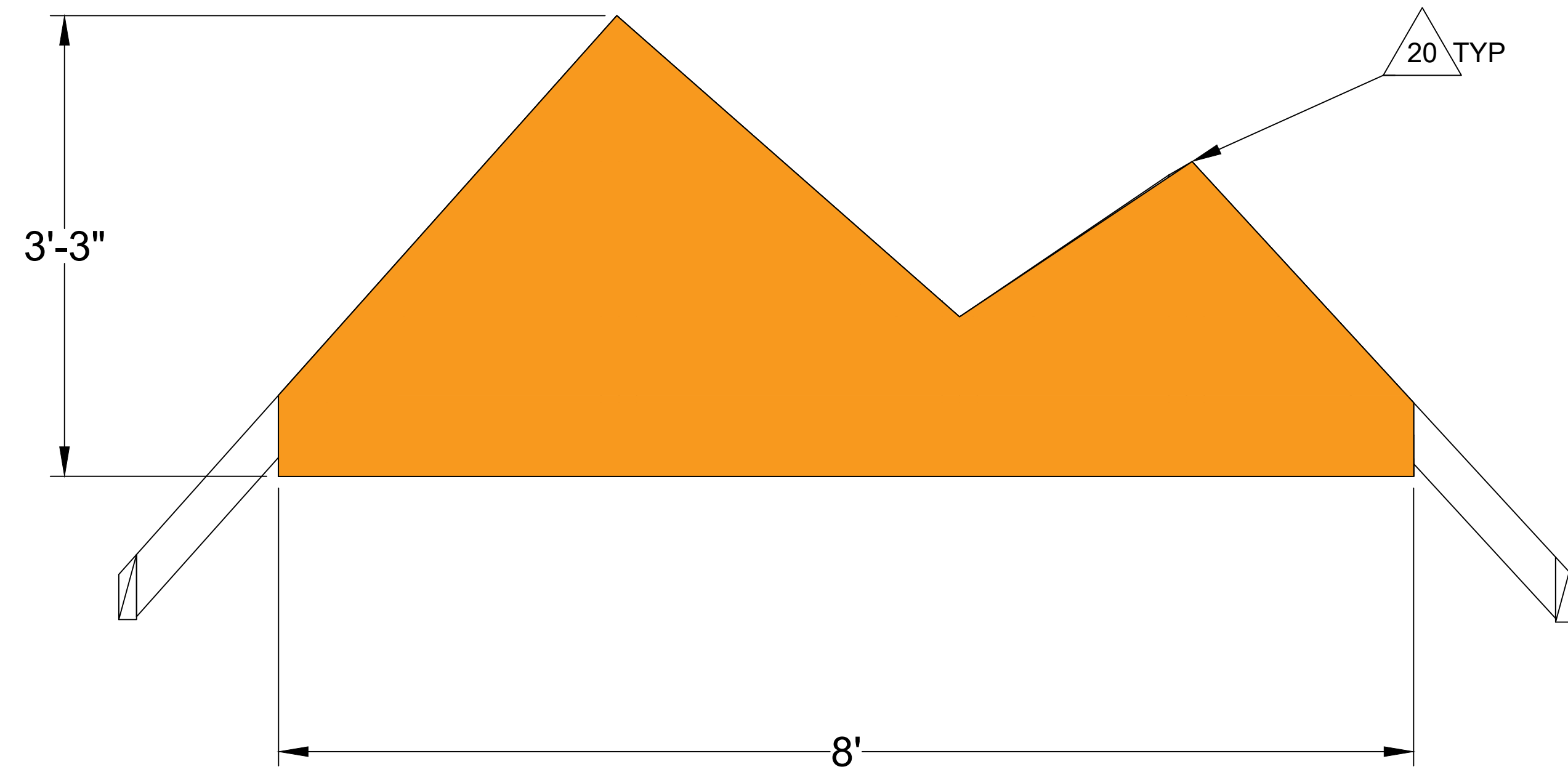
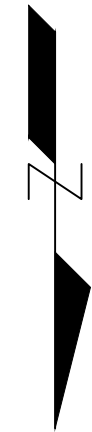


**FLOOR SHEATHING PLAN**

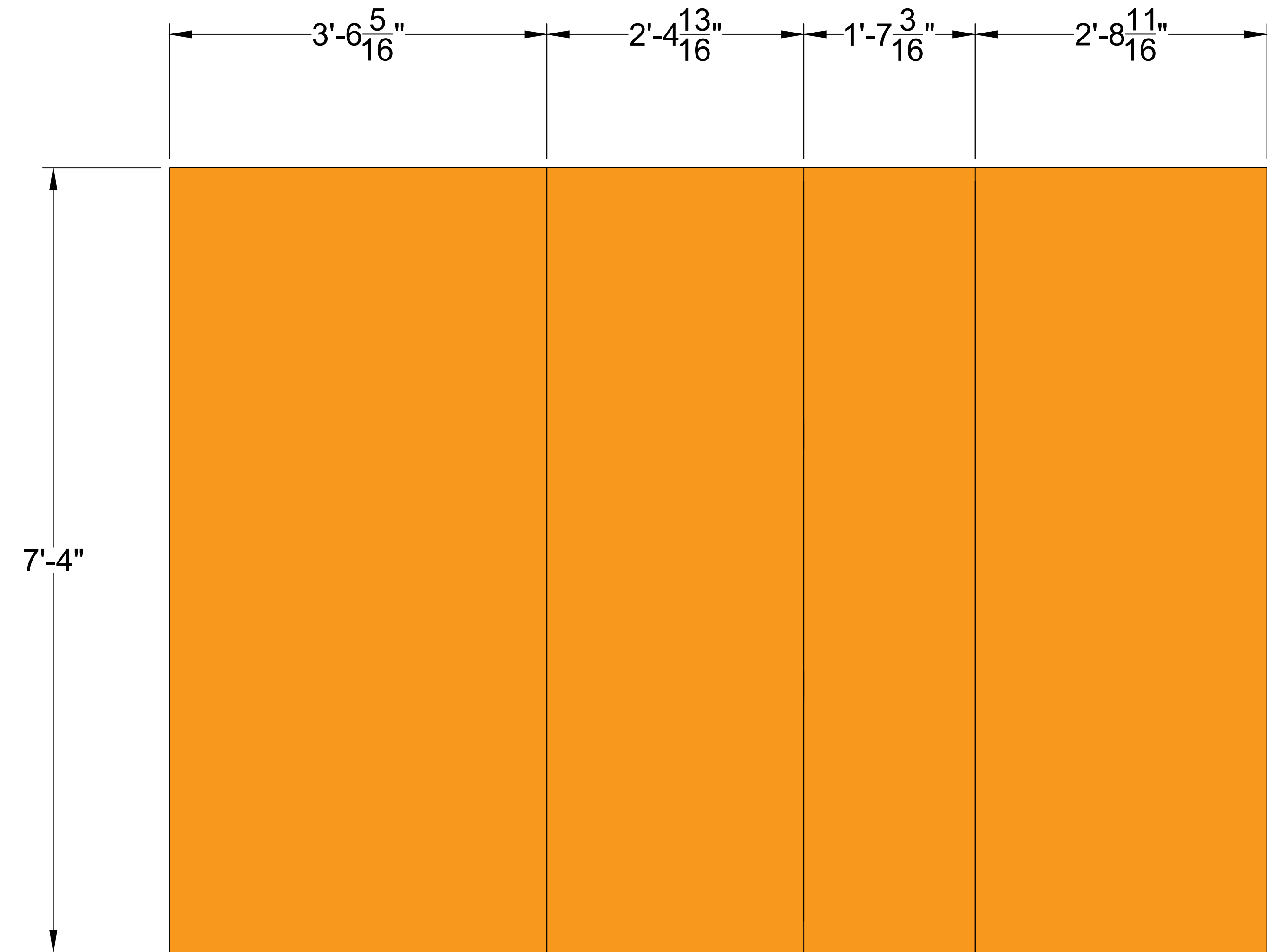


**FLOOR FRAMING PLAN**





**ROOF SHEATHING ELEVATION**

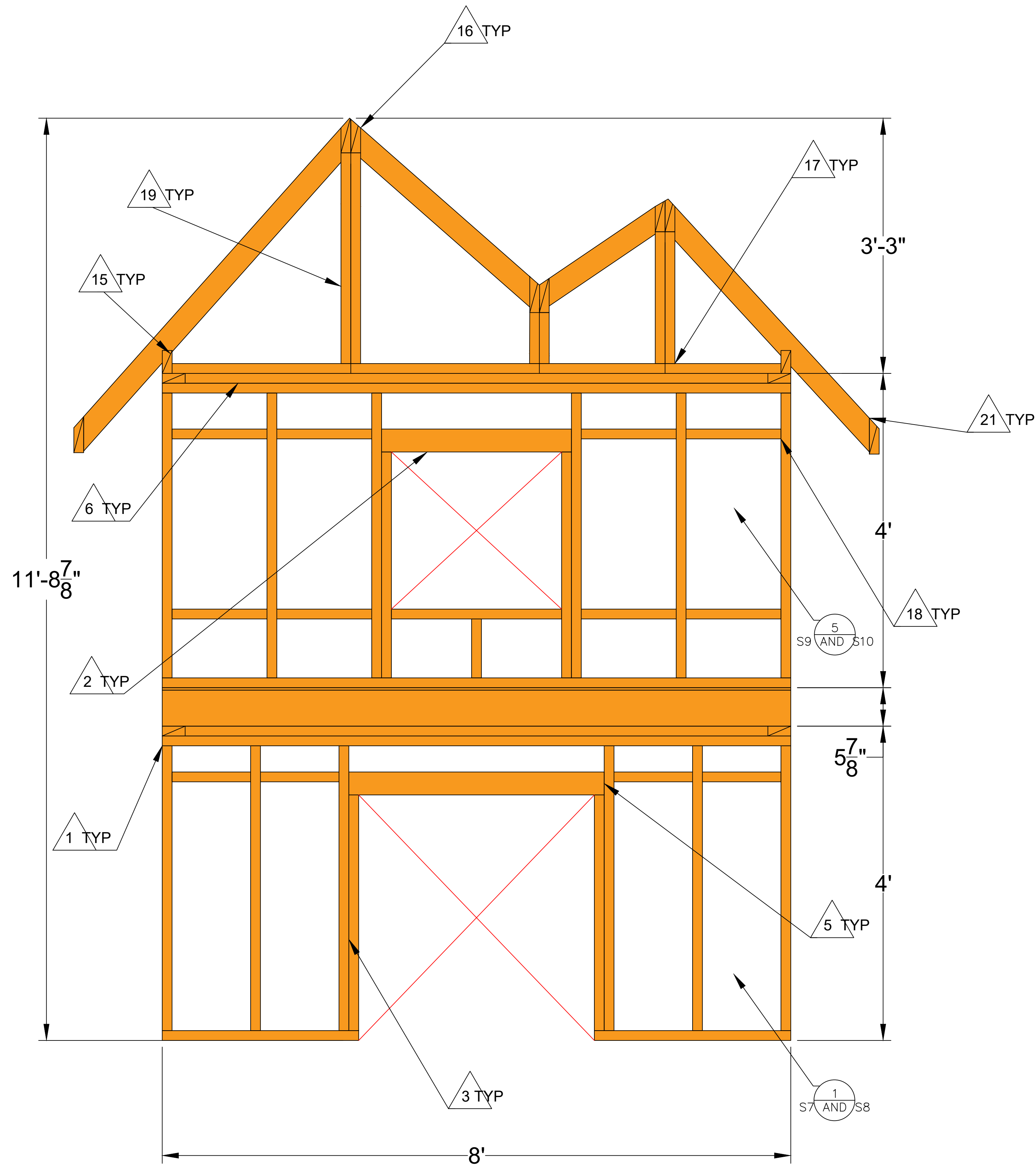


**ROOF SHEATHING PLAN**

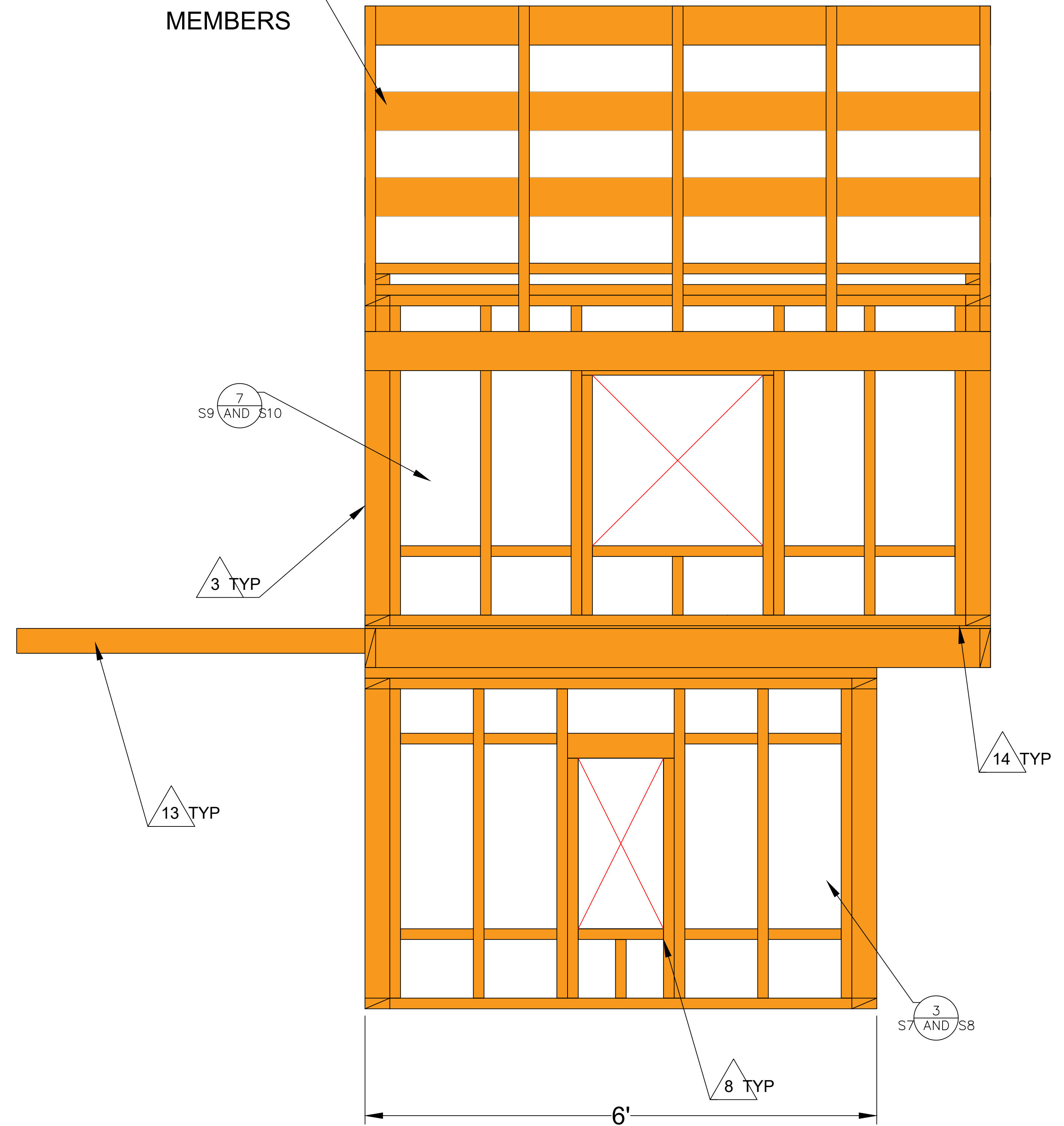
NOTE: SHEATHING NOT SHOWN FOR CLARITY

△ KEYNOTE, SEE S0

LIGHTER COLOR REFERS TO BACKGROUND MEMBERS



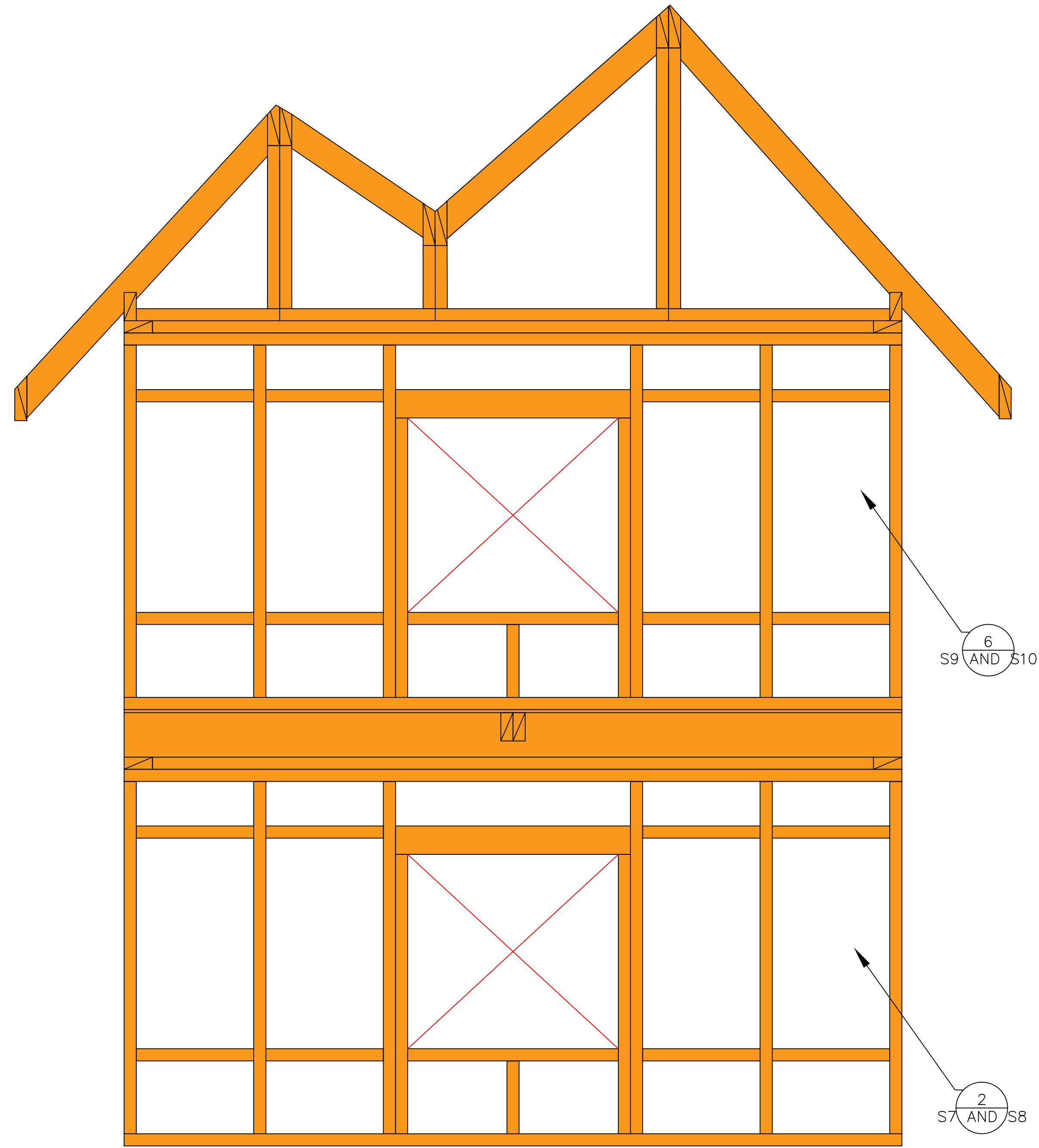
**E1: ELEVATION NORTH FACE**



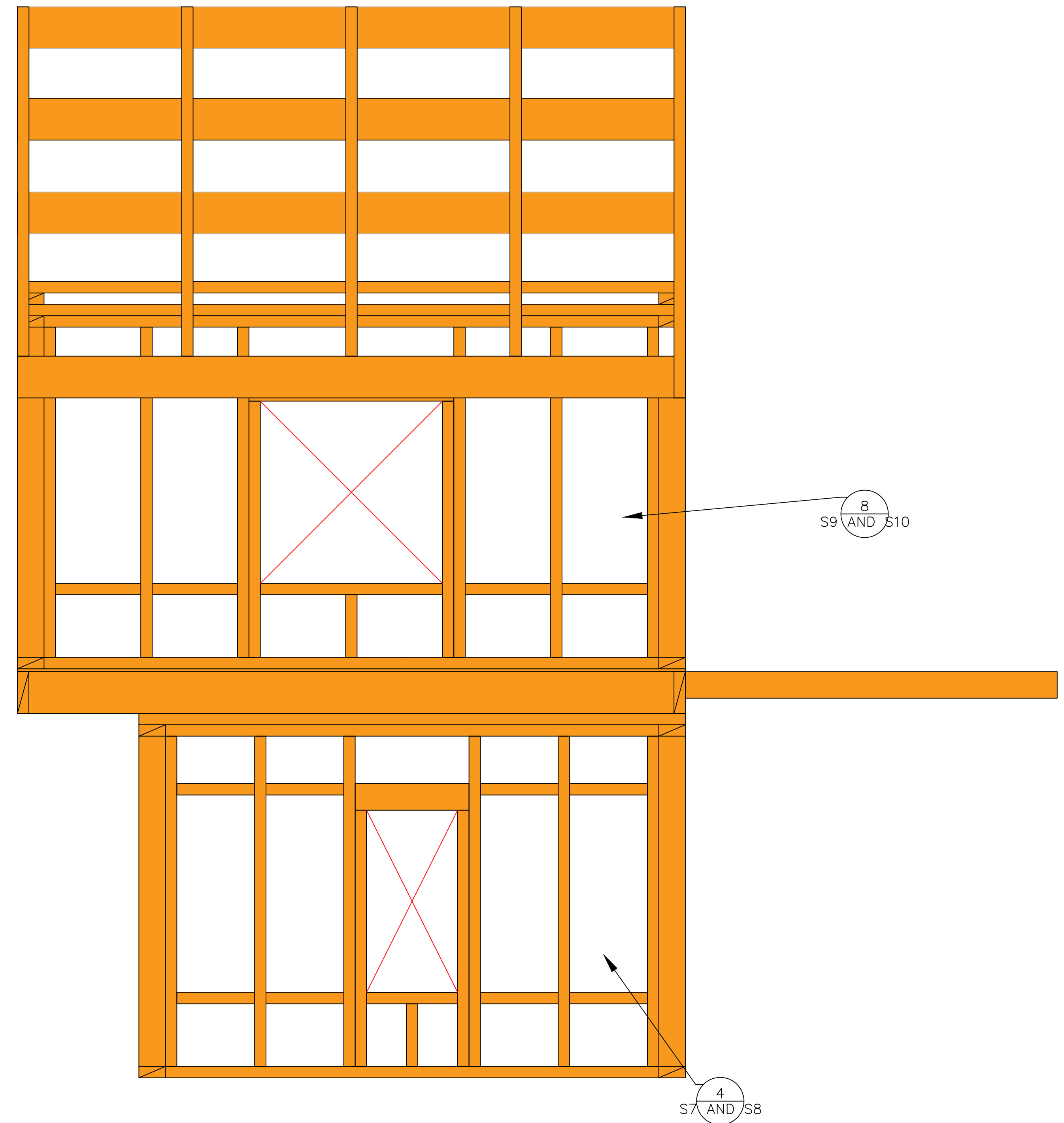
**E2: ELEVATION EAST FACE**

NOTE: SHEATHING NOT SHOWN FOR CLARITY

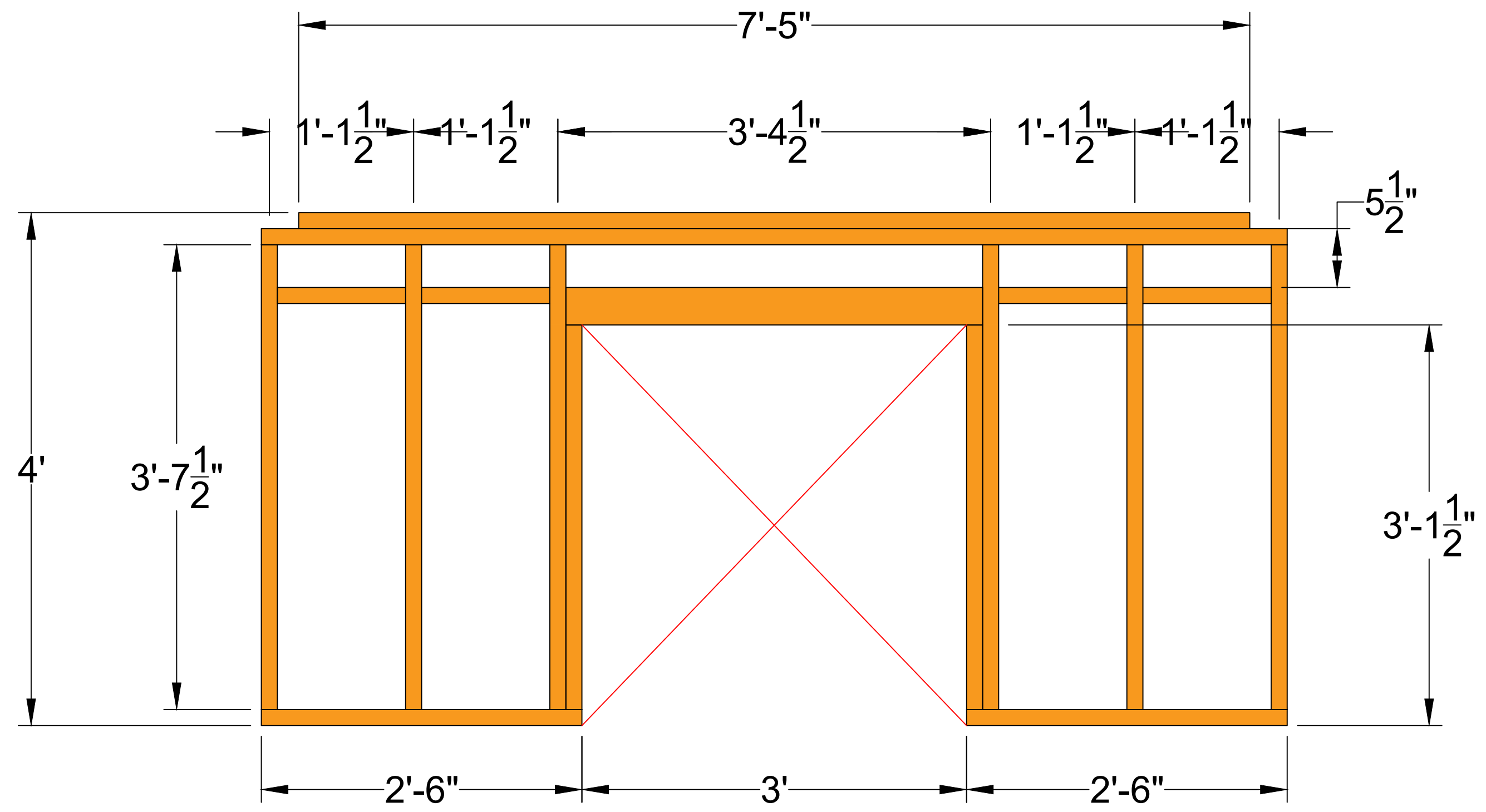
△ KEYNOTE, SEE S0



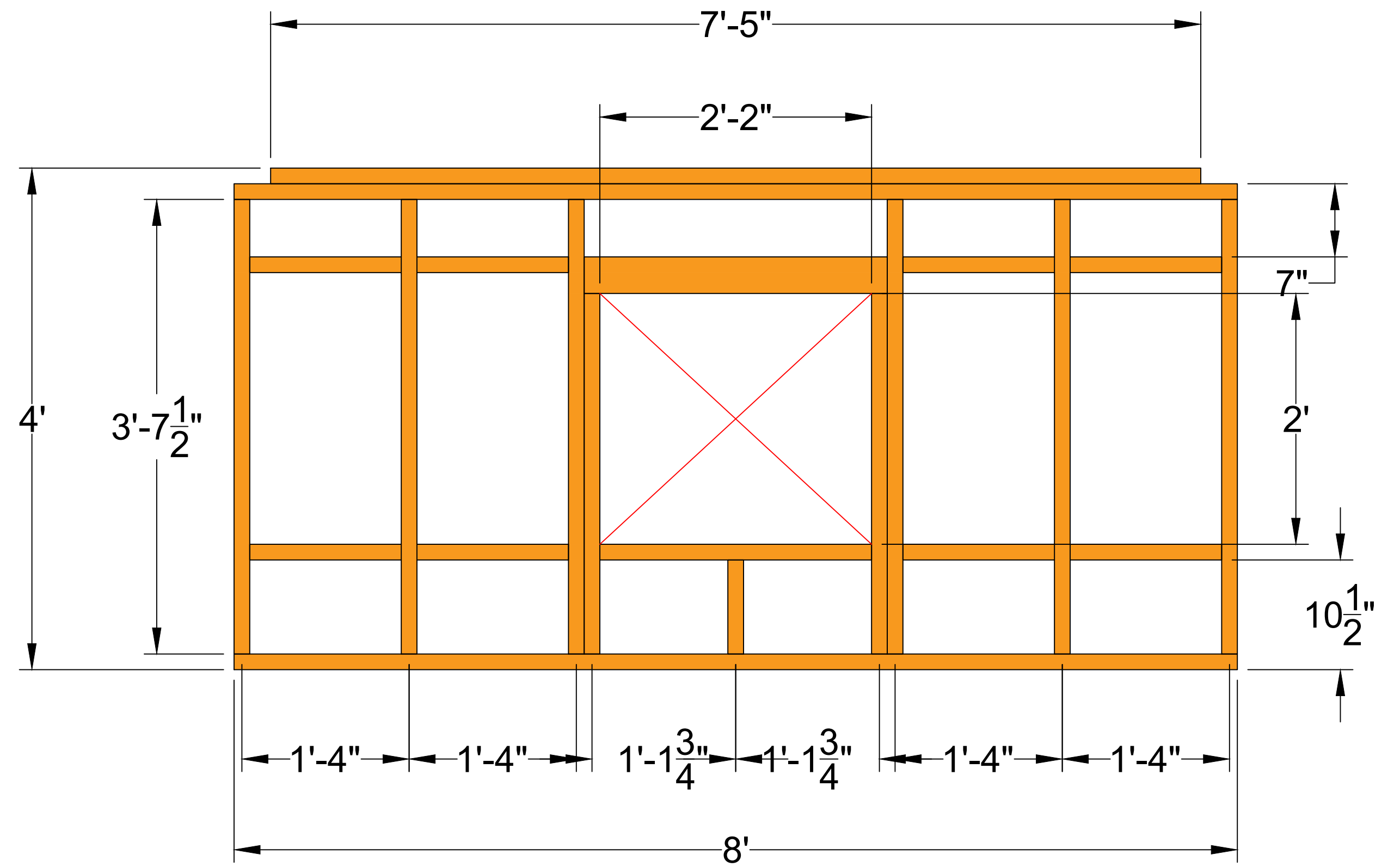
**E3: ELEVATION SOUTH FACE**



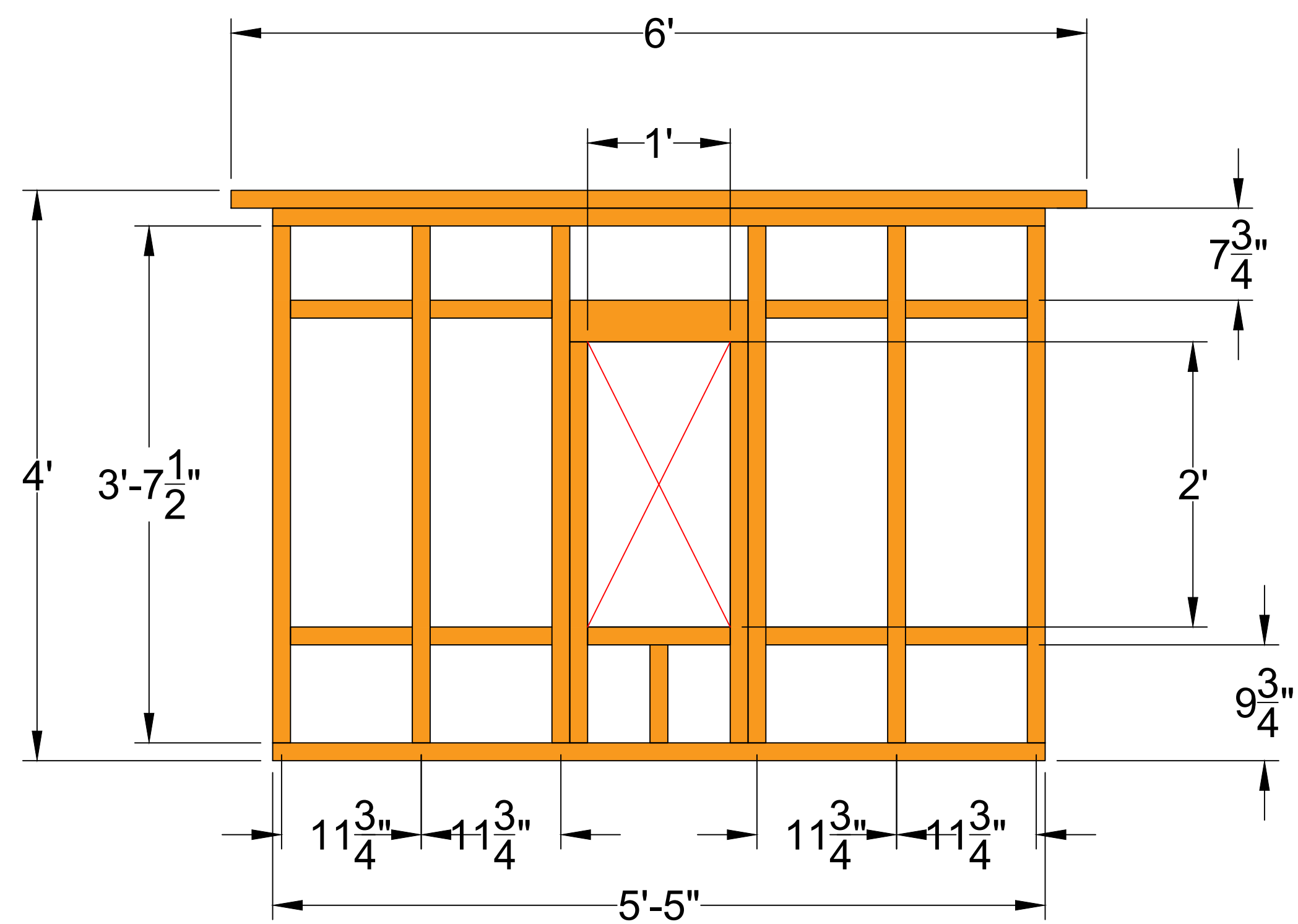
**E4: ELEVATION WEST FACE**



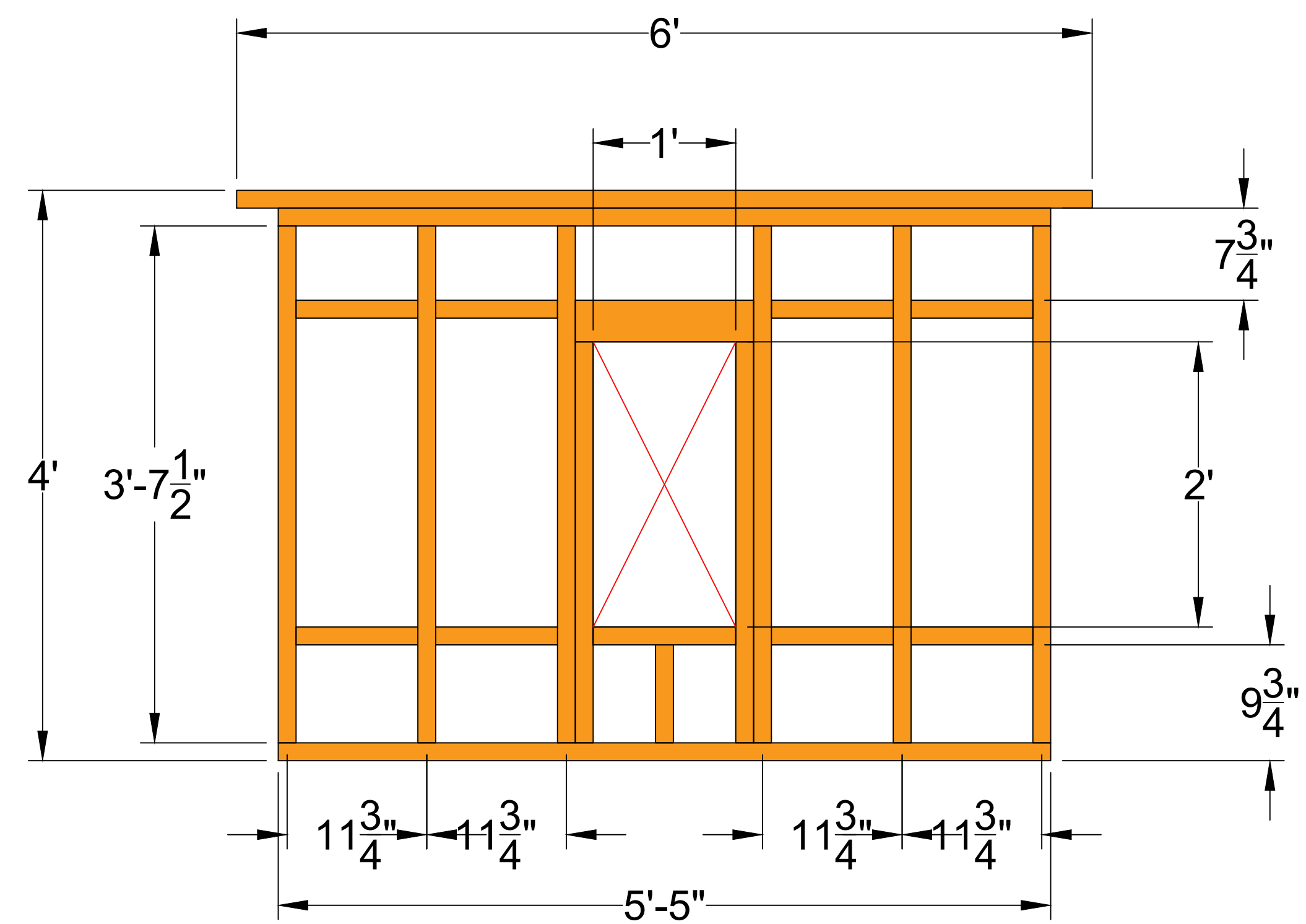
1 FIRST STORY NORTH WALL  
SCALE: 1" = 10'



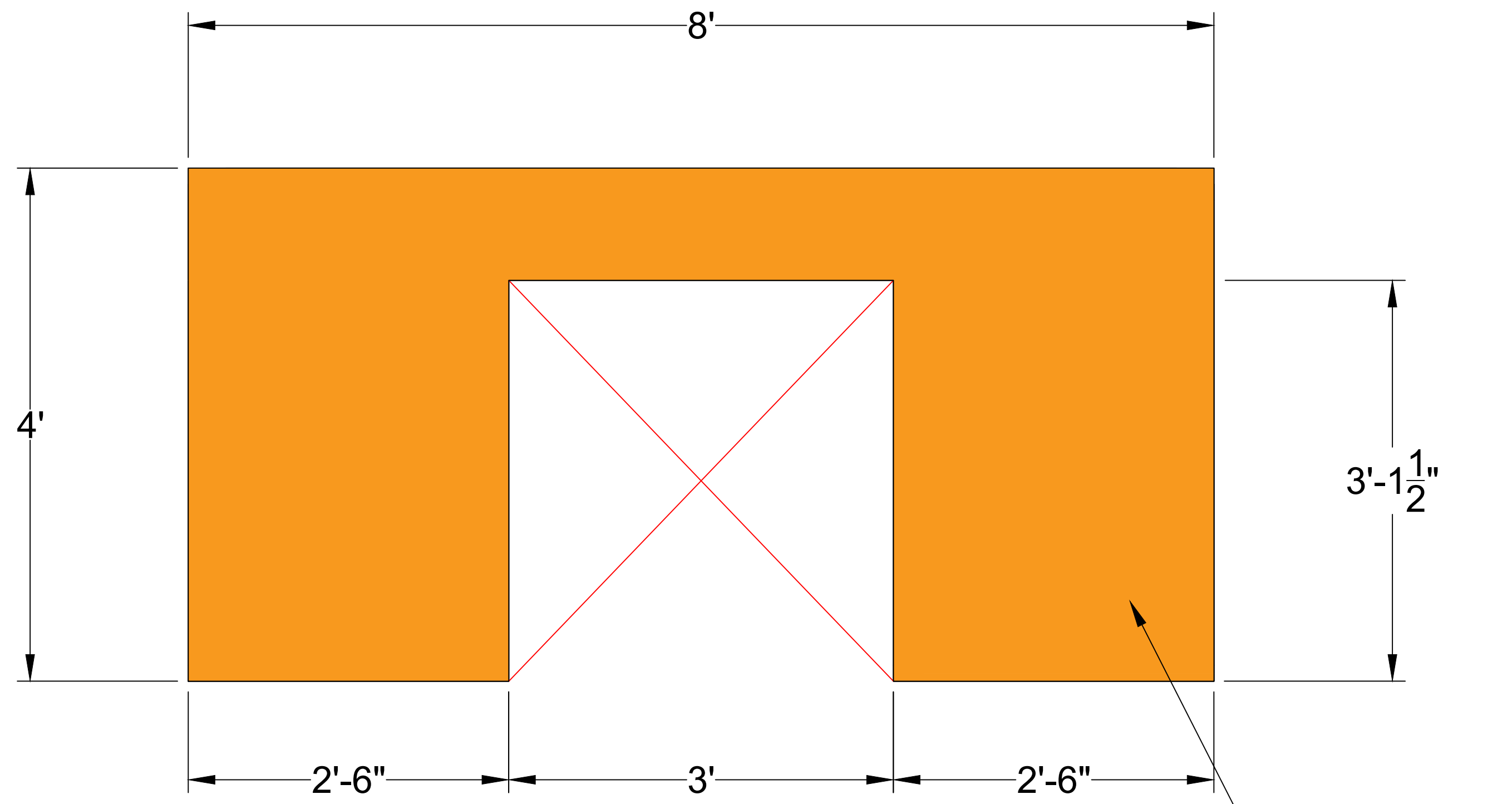
2 FIRST STORY SOUTH WALL  
SCALE: 1" = 10'



3 FIRST STORY EAST WALL  
SCALE: 1" = 10'

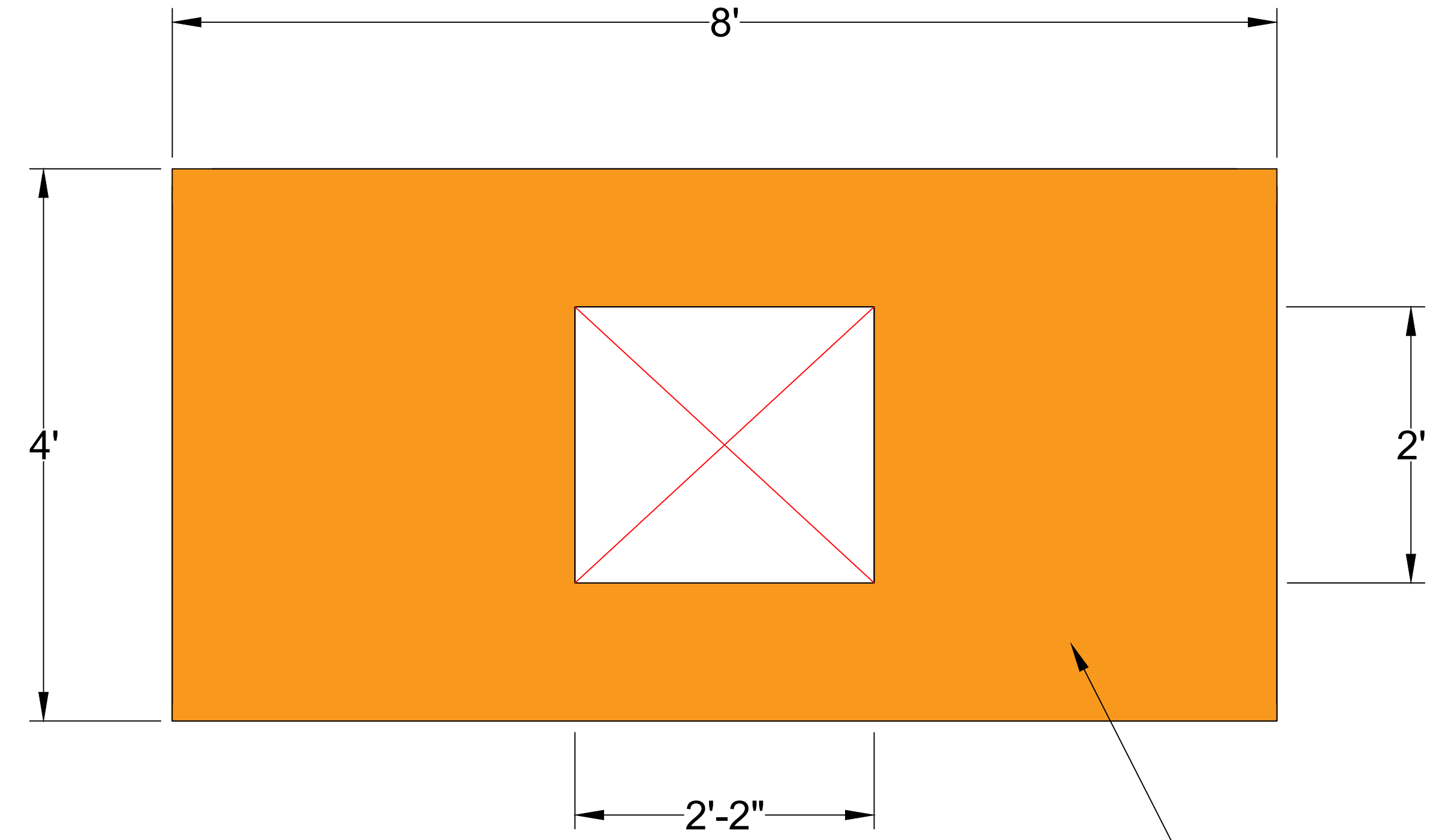


4 FIRST STORY WEST WALL  
SCALE: 1" = 10'



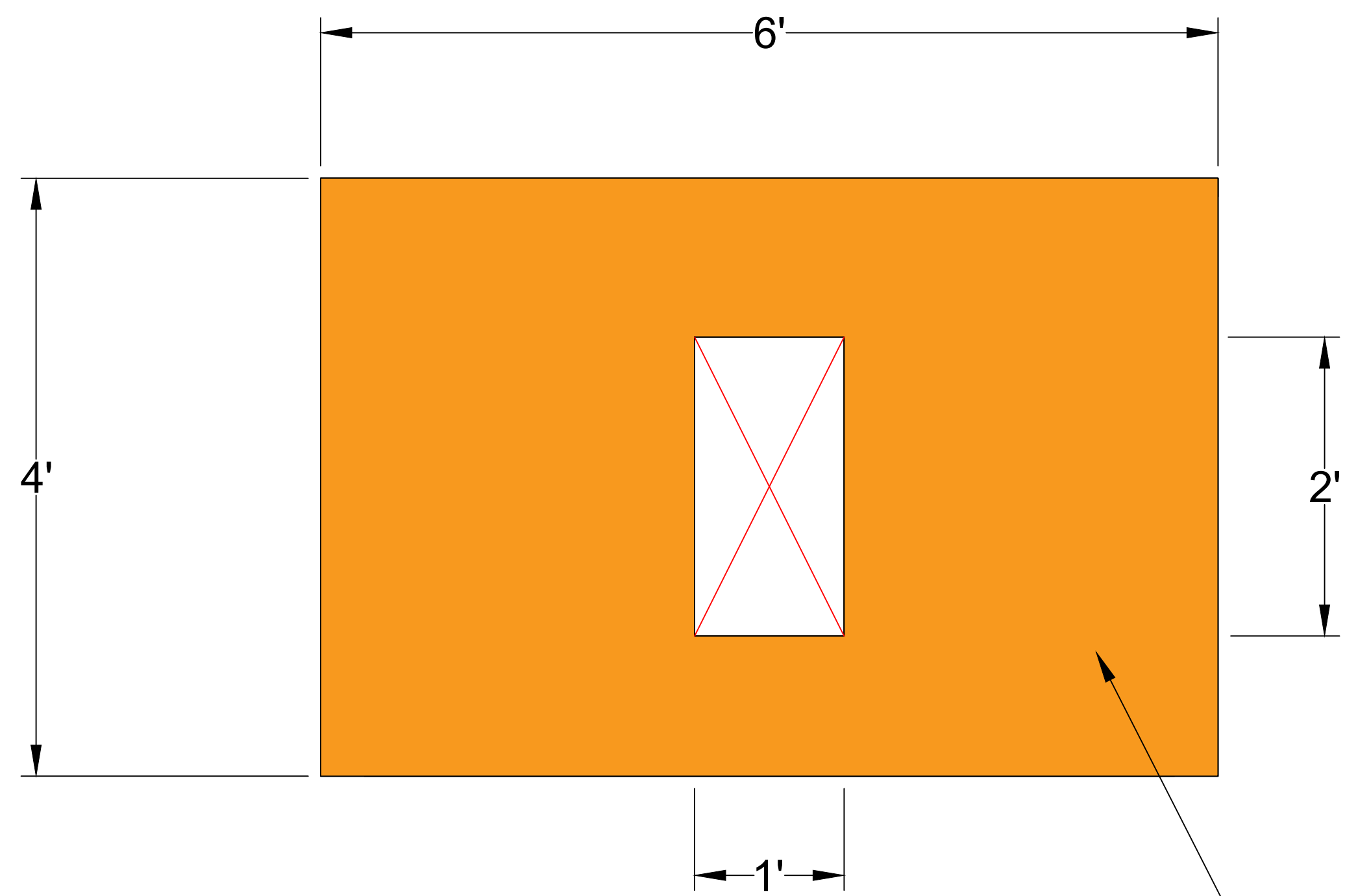
① FIRST STORY NORTH WALL  
SCALE: 1" = 10'

9 SEE NOTE 3



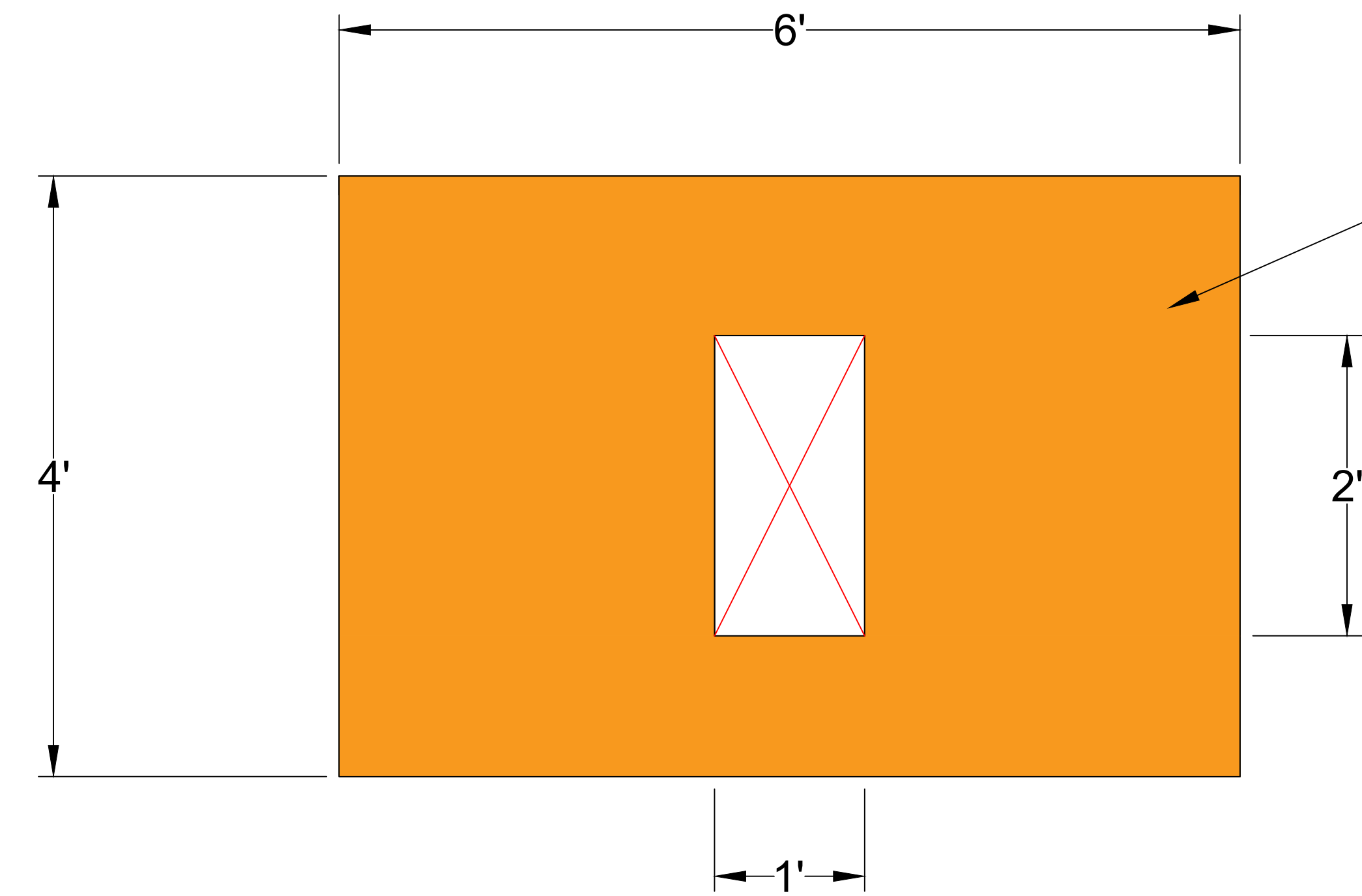
② FIRST STORY SOUTH WALL  
SCALE: 1" = 10'

9 SEE NOTE 4



③ FIRST STORY EAST WALL  
SCALE: 1" = 10'

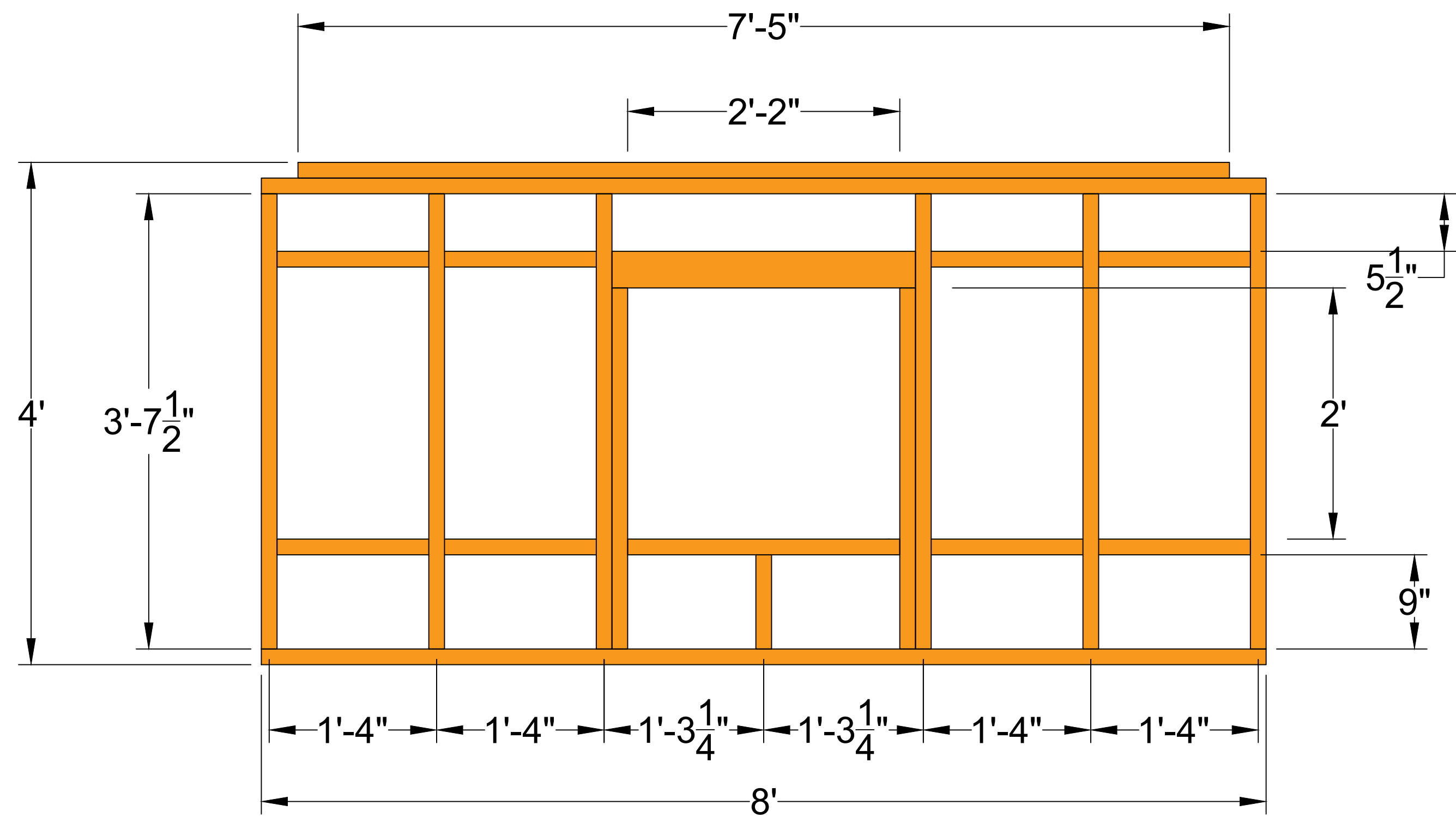
9 SEE NOTE 2



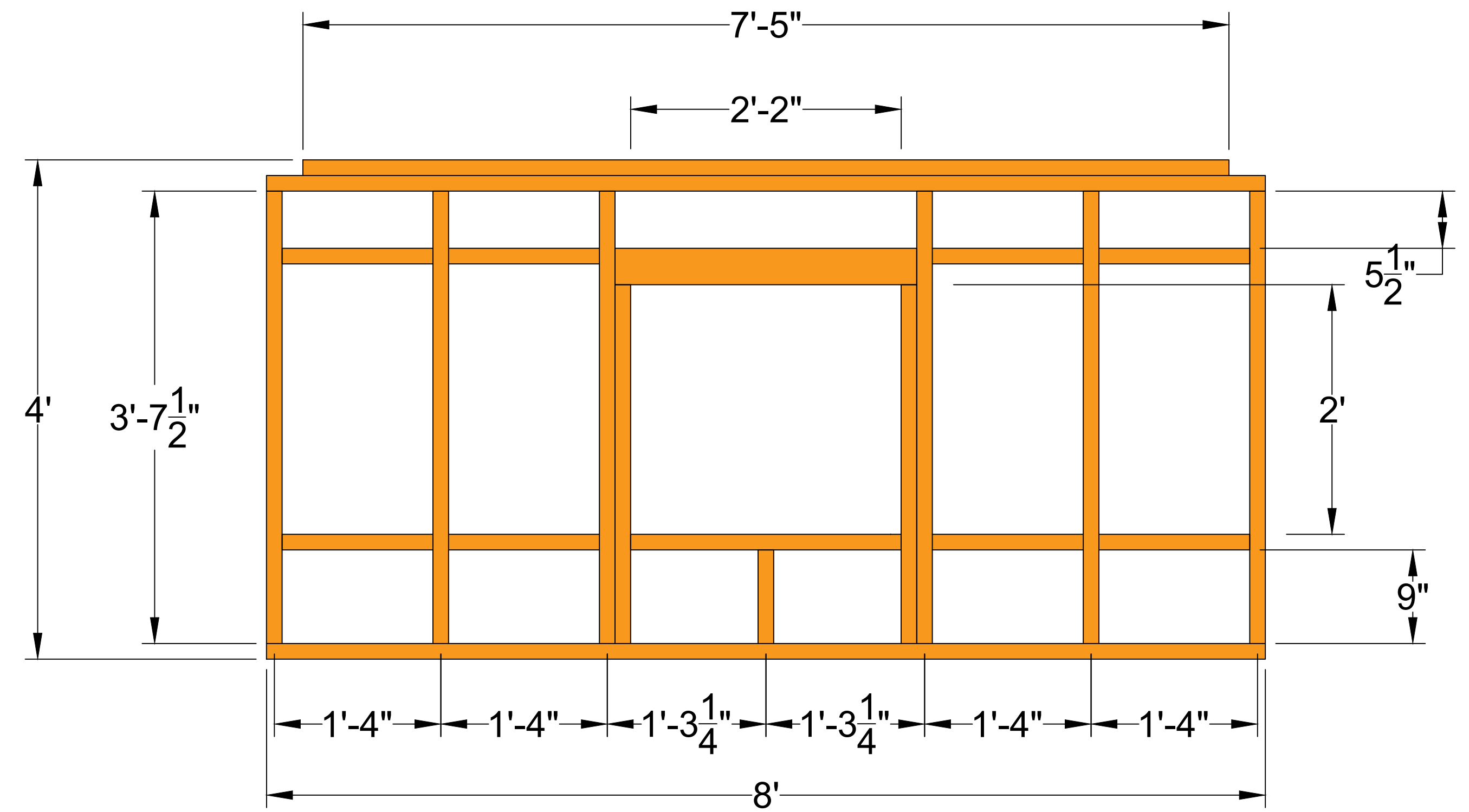
④ FIRST STORY WEST WALL  
SCALE: 1" = 10'

9 SEE NOTE 2

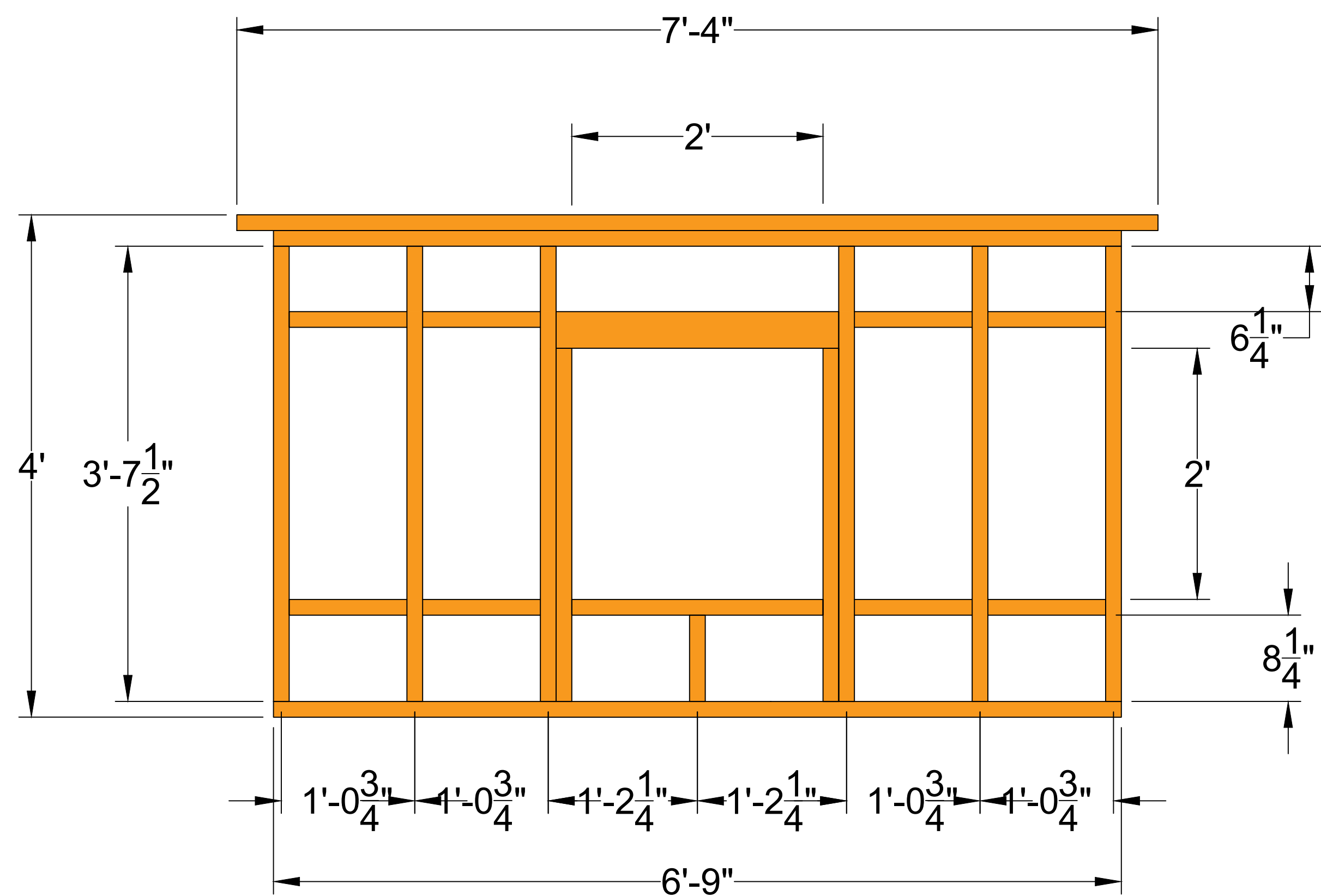
- NOTES:
1. ALL SHEATHING  $\frac{3}{8}$ " OSB
  2. 6D NAILS, 6" O.C. SPA.
  3. 8D NAILS, 6" O.C. SPA.
  4. 6D NAILS, 4" O.C. SPA.



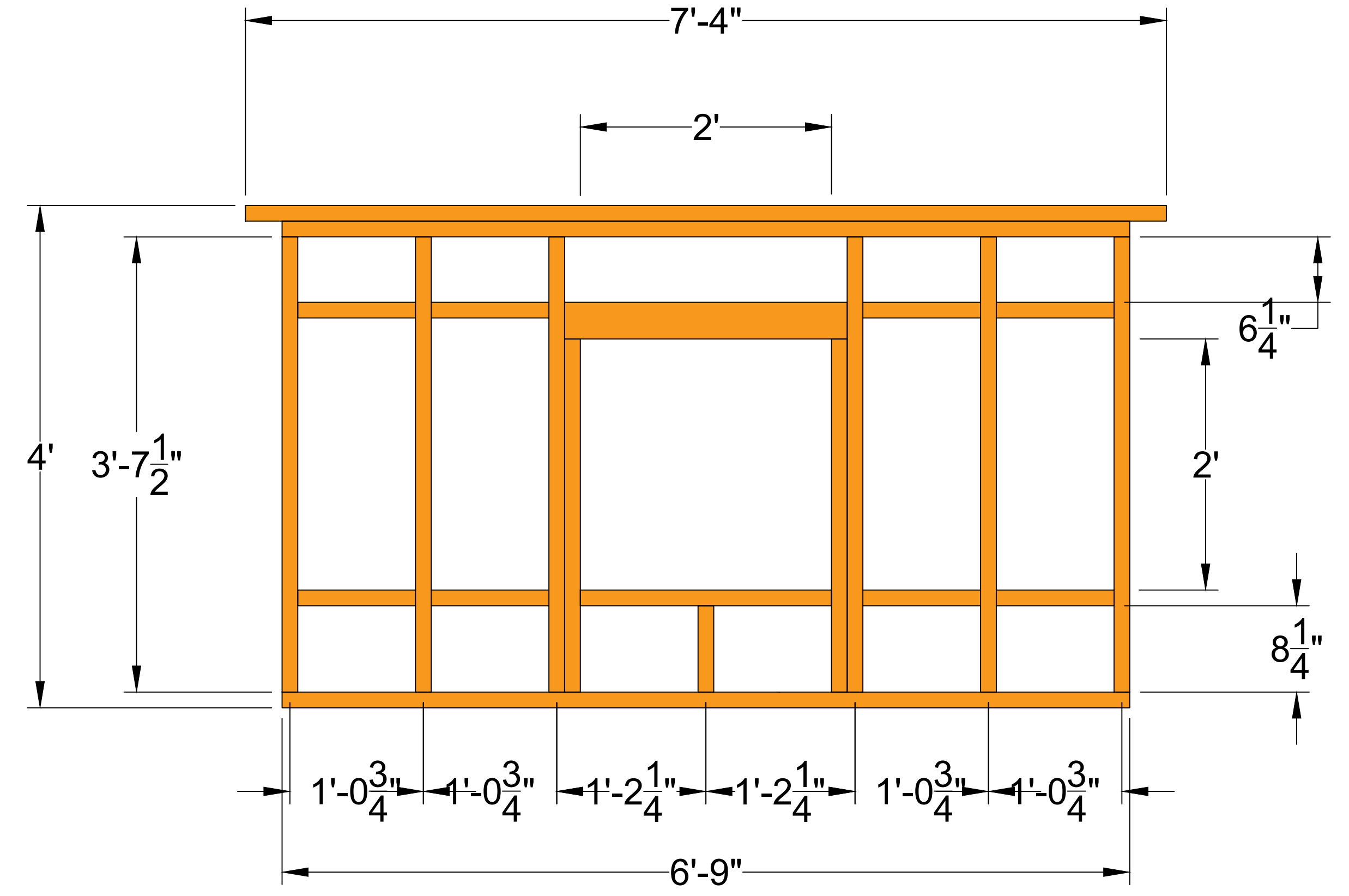
5 SECOND STORY NORTH WALL  
SCALE: 1" = 10'



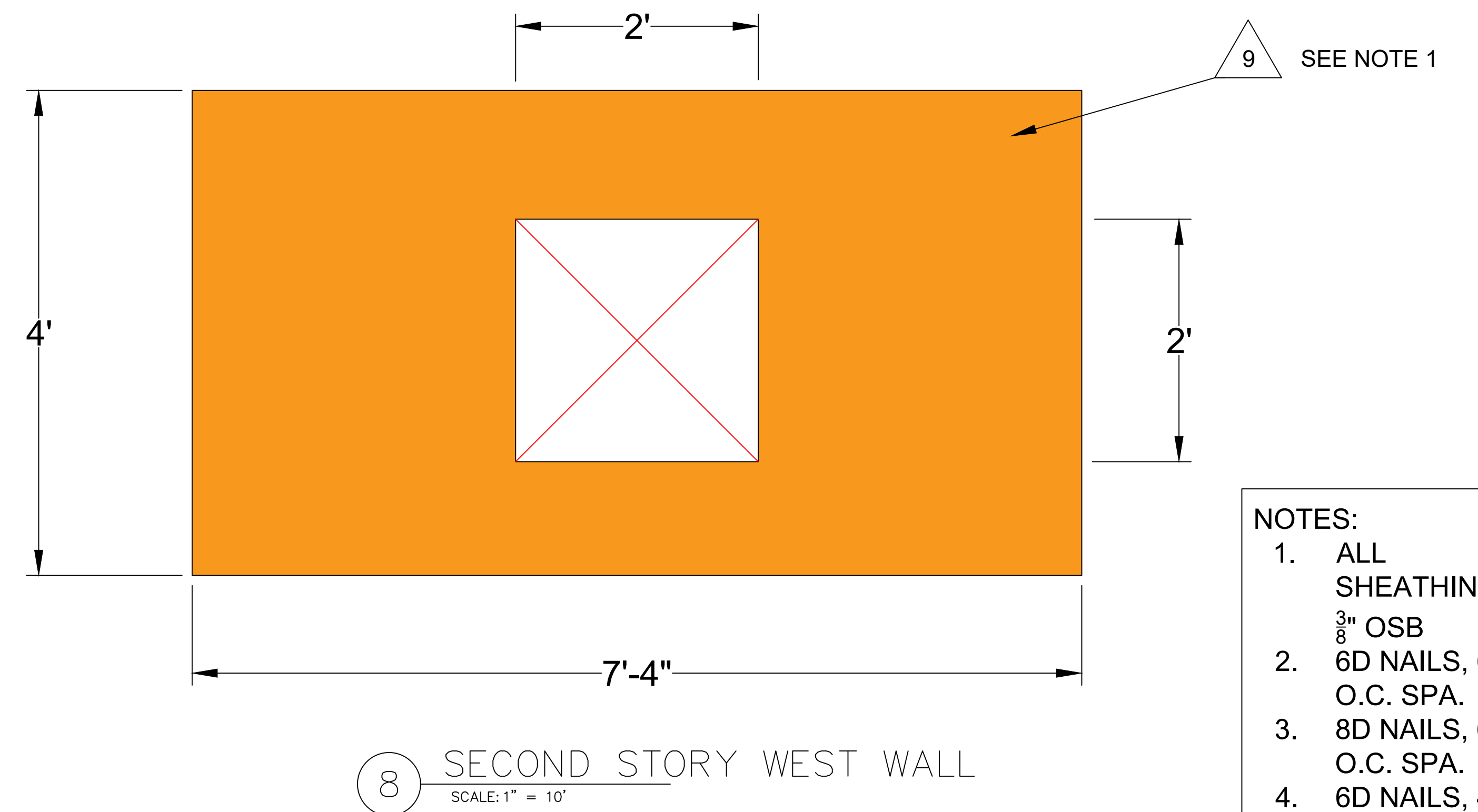
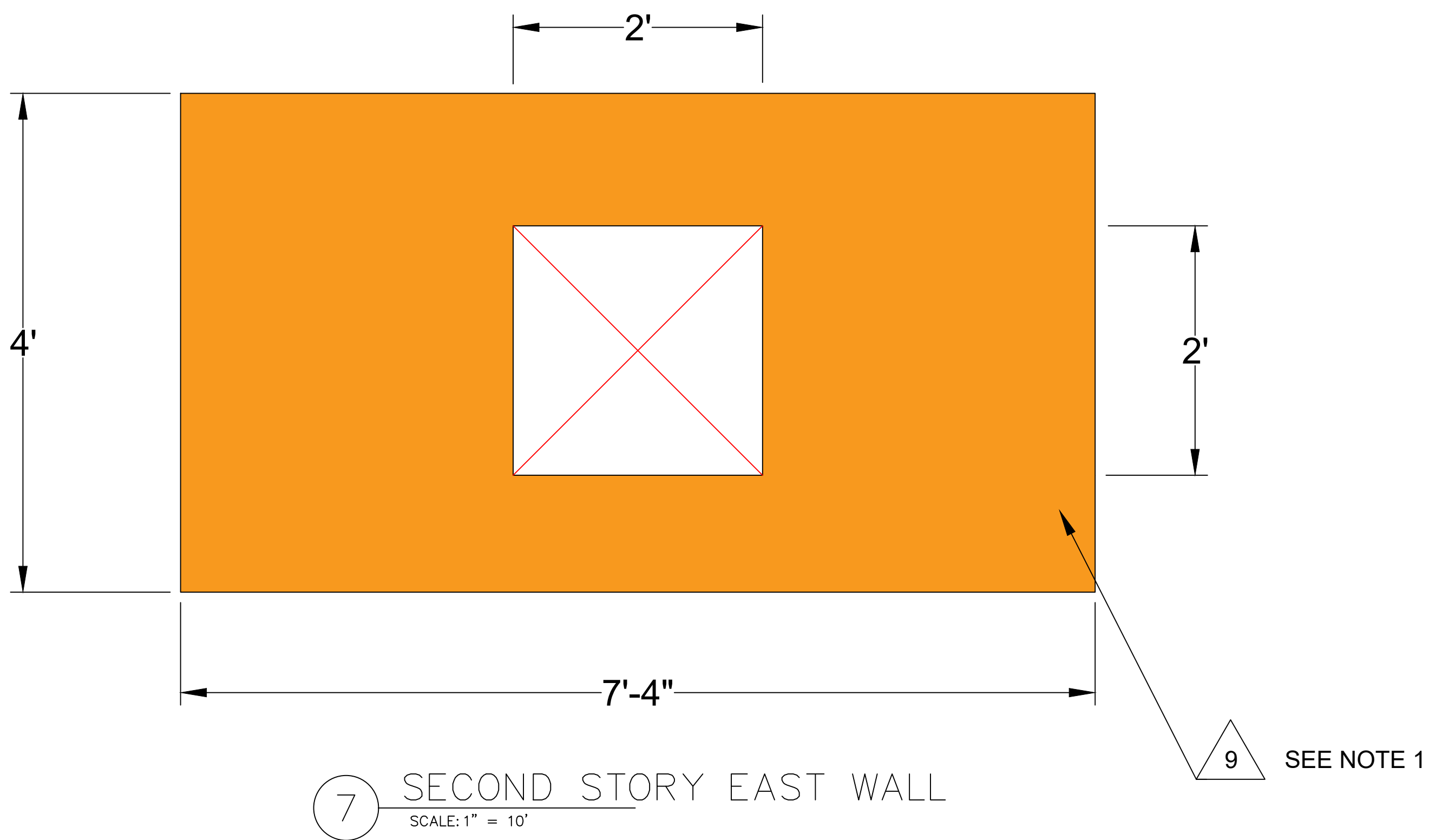
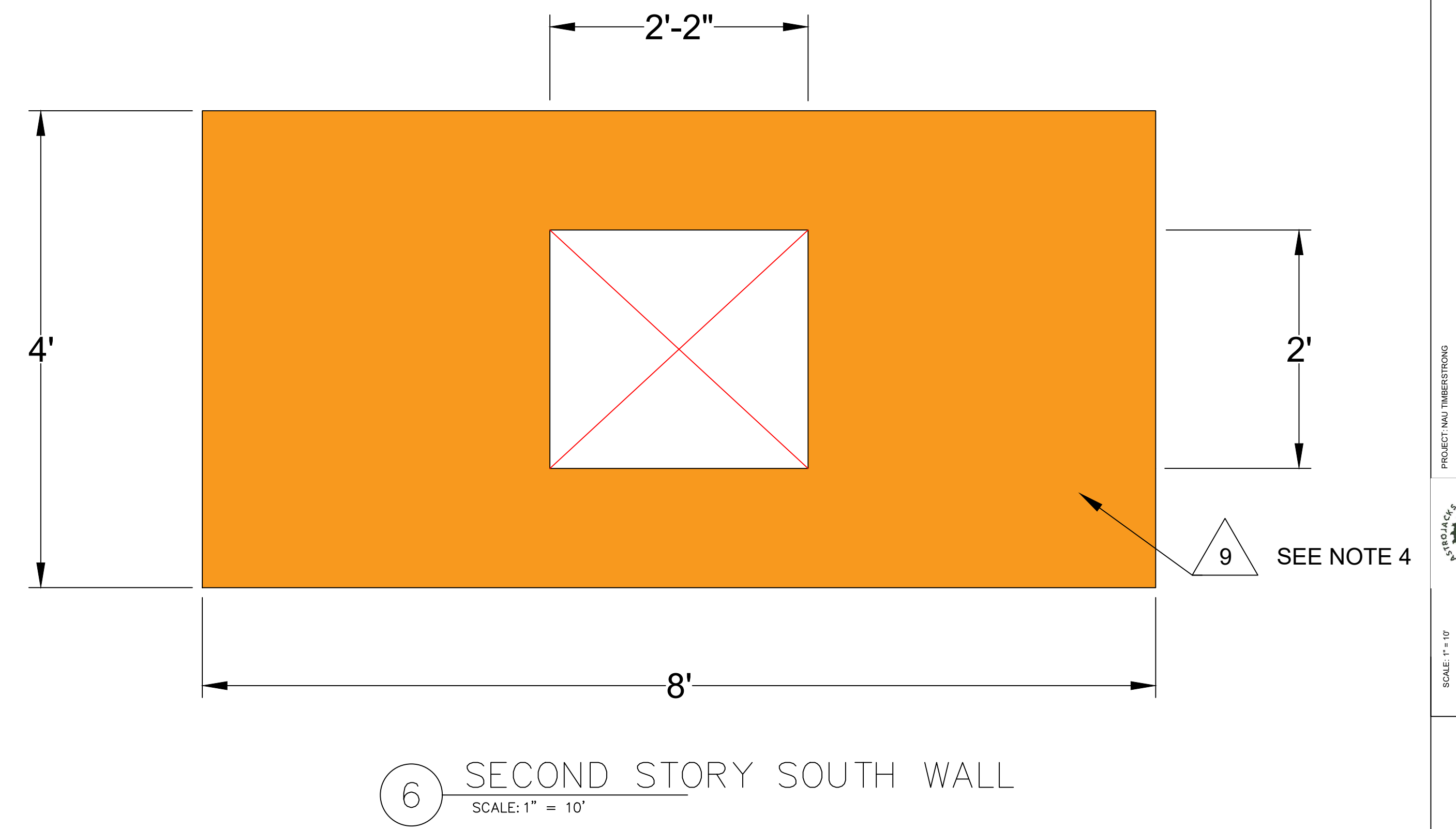
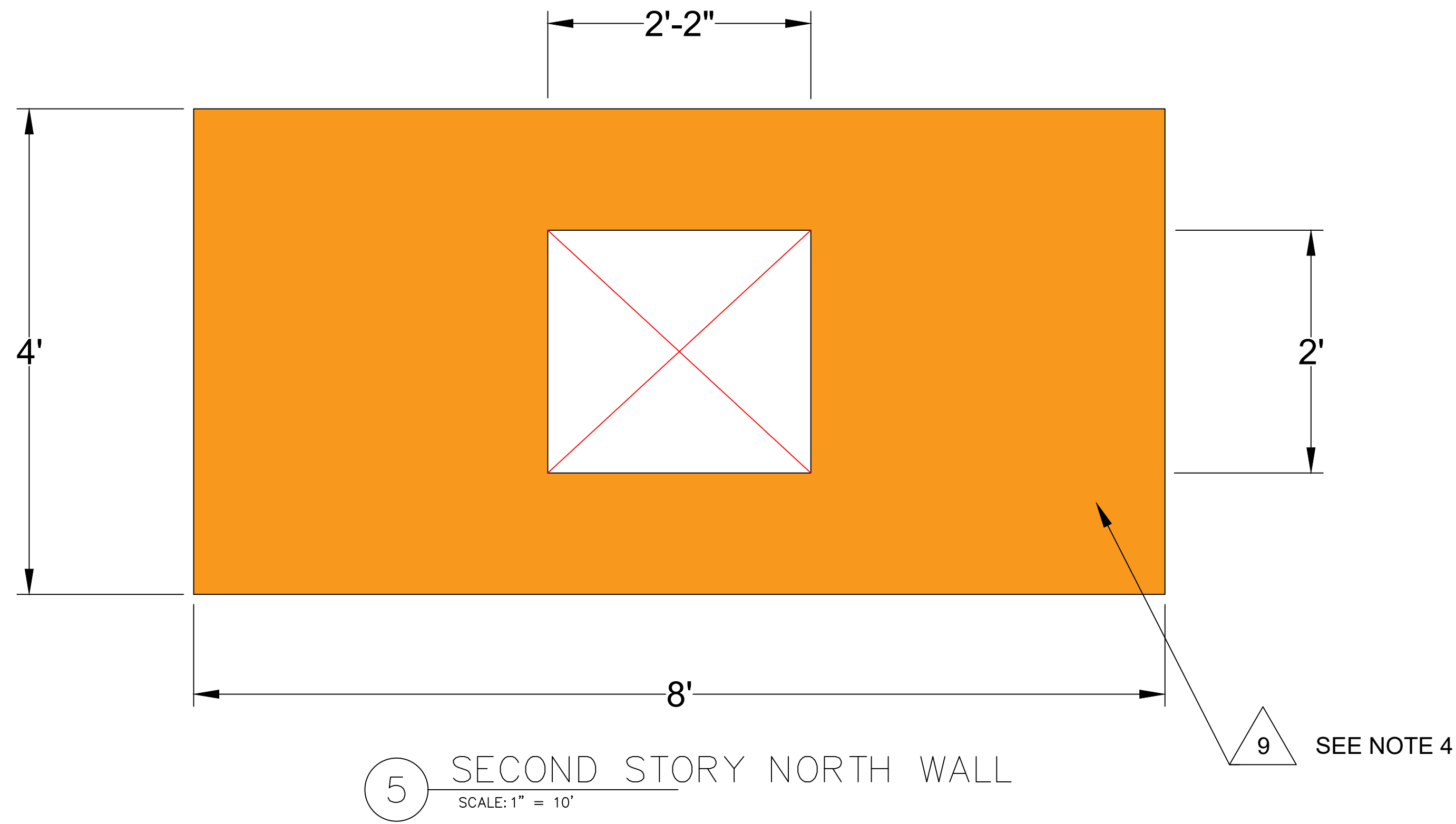
6 SECOND STORY SOUTH WALL  
SCALE: 1" = 10'



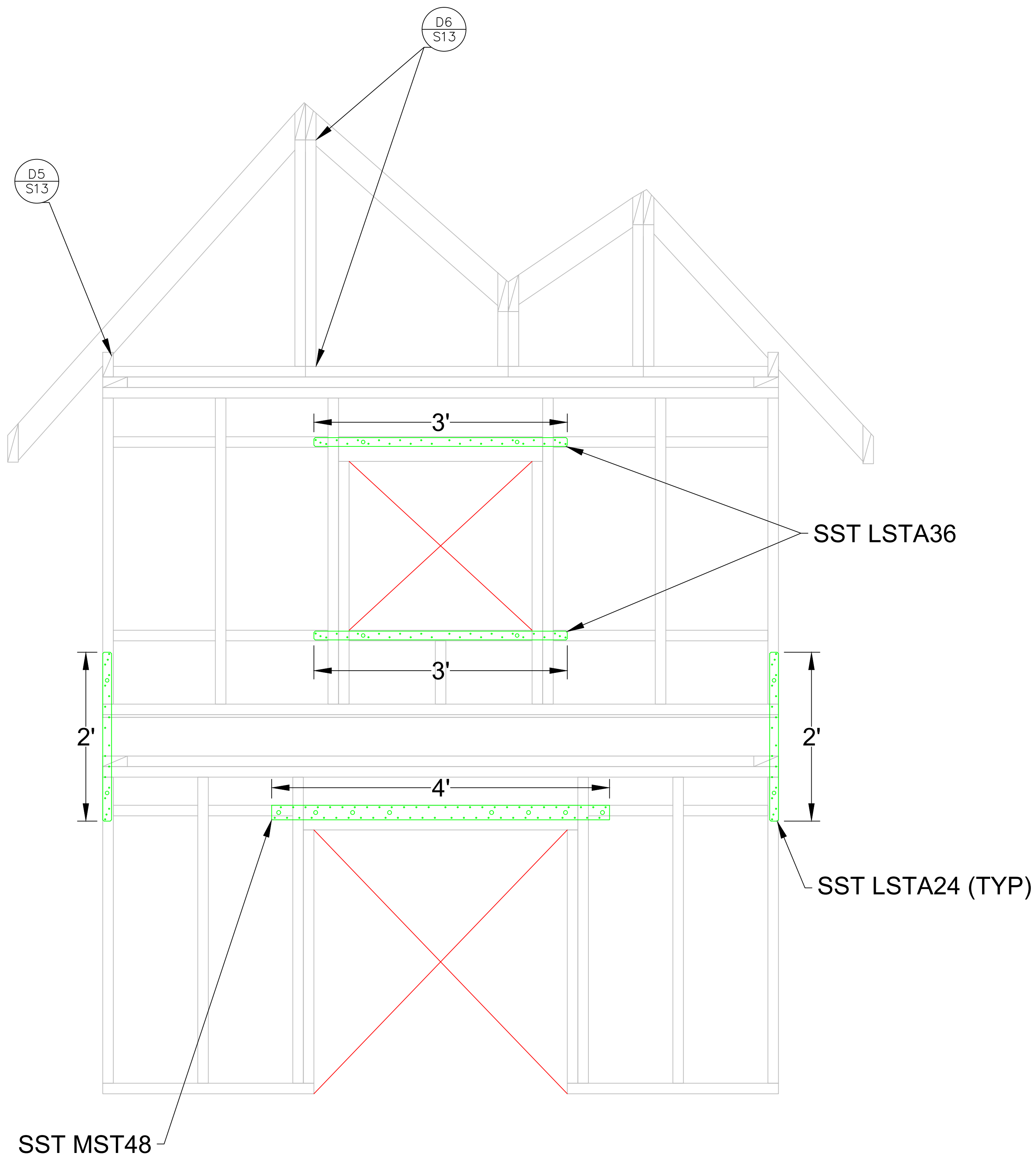
7 SECOND STORY EAST WALL  
SCALE: 1" = 10'



8 SECOND STORY WEST WALL  
SCALE: 1" = 10'



- NOTES:
1. ALL SHEATHING  $\frac{3}{8}$ " OSB
  2. 6D NAILS, 6" O.C. SPA.
  3. 8D NAILS, 6" O.C. SPA.
  4. 6D NAILS, 4" O.C. SPA.

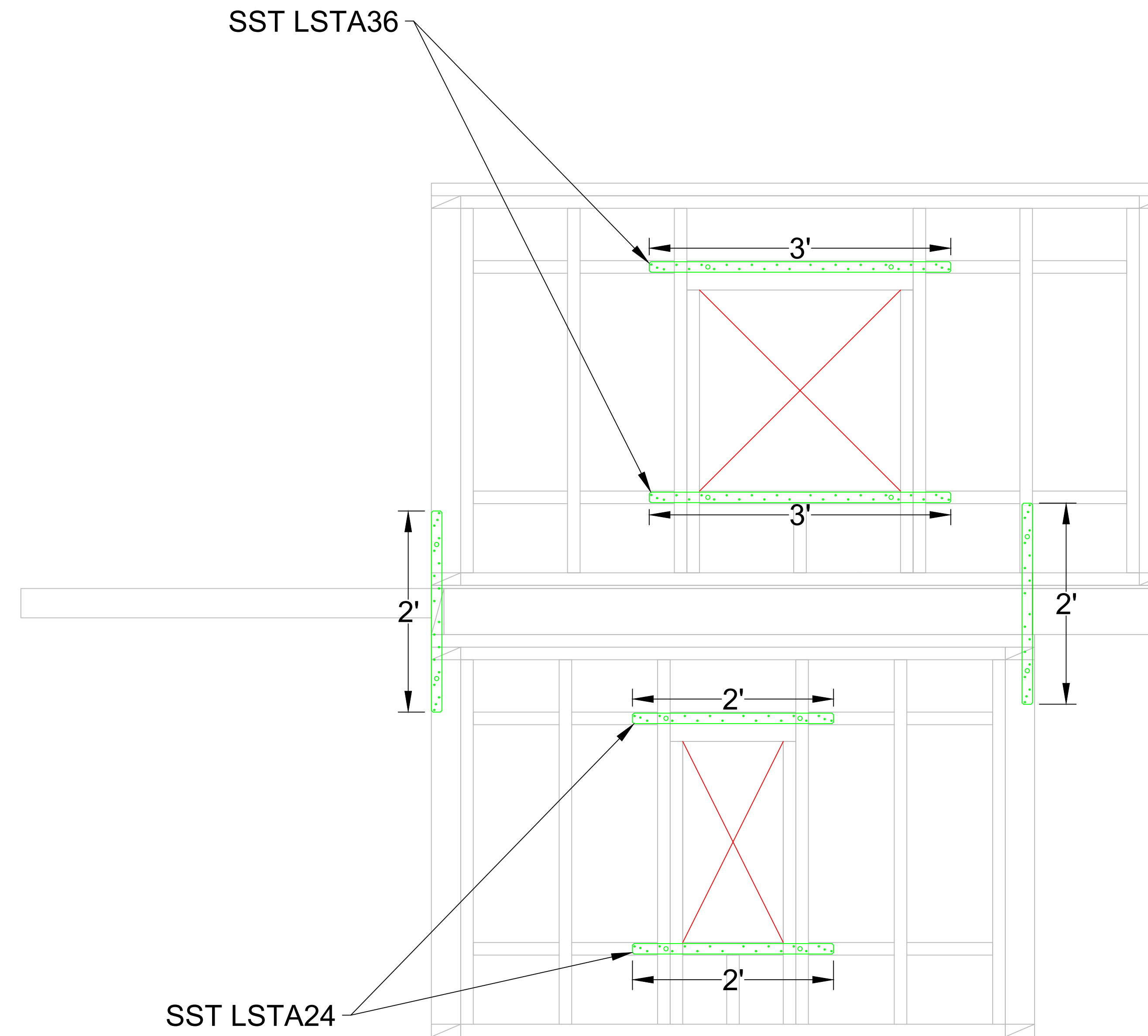


SST MST48

**D1: STRAPPING DETAIL - NORTH FACE**

NOTES:

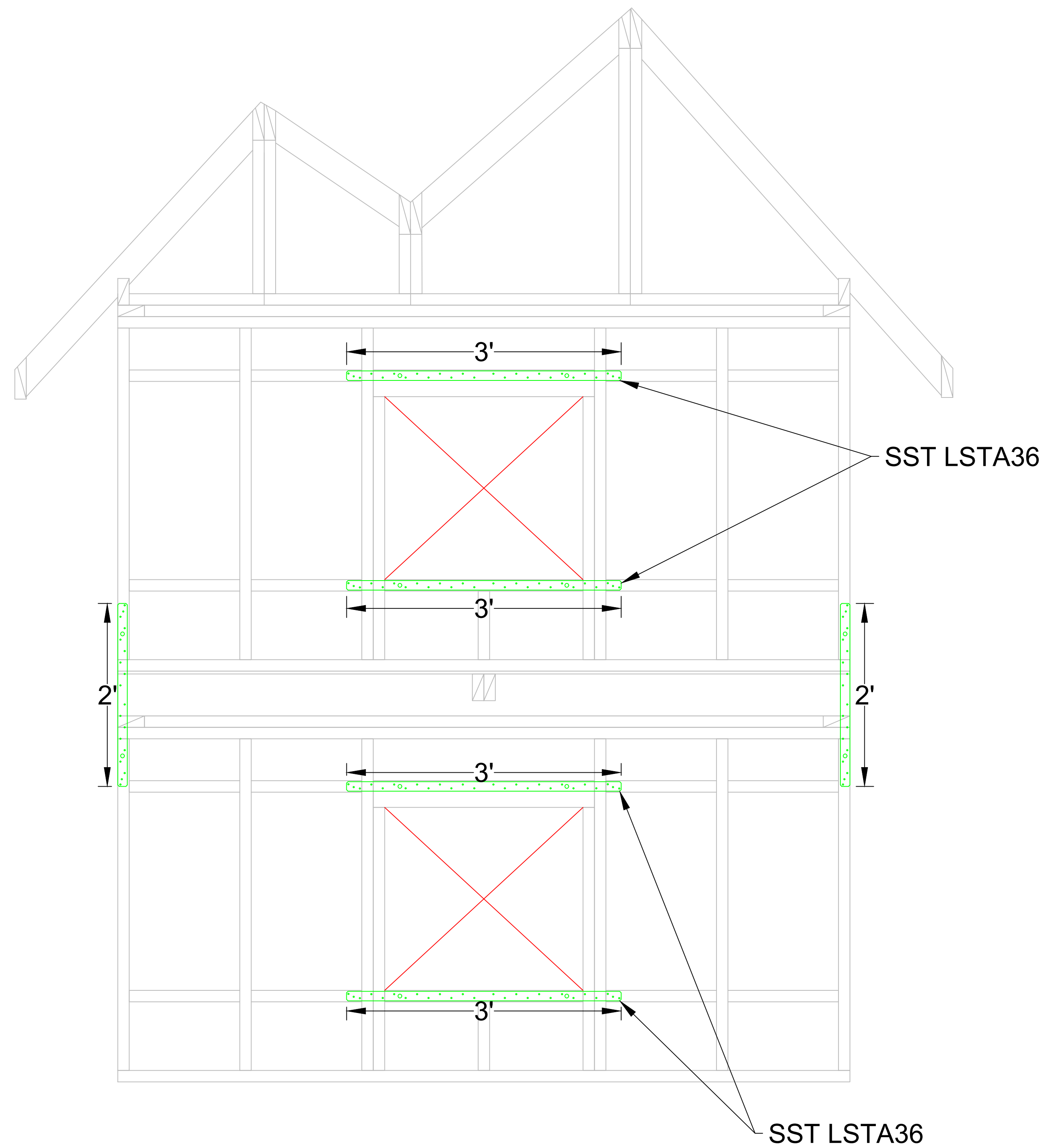
1. ALL STRAPS INSTALLED USING SST SD9112
2. ROOF NOT SHOWN FOR CLARITY



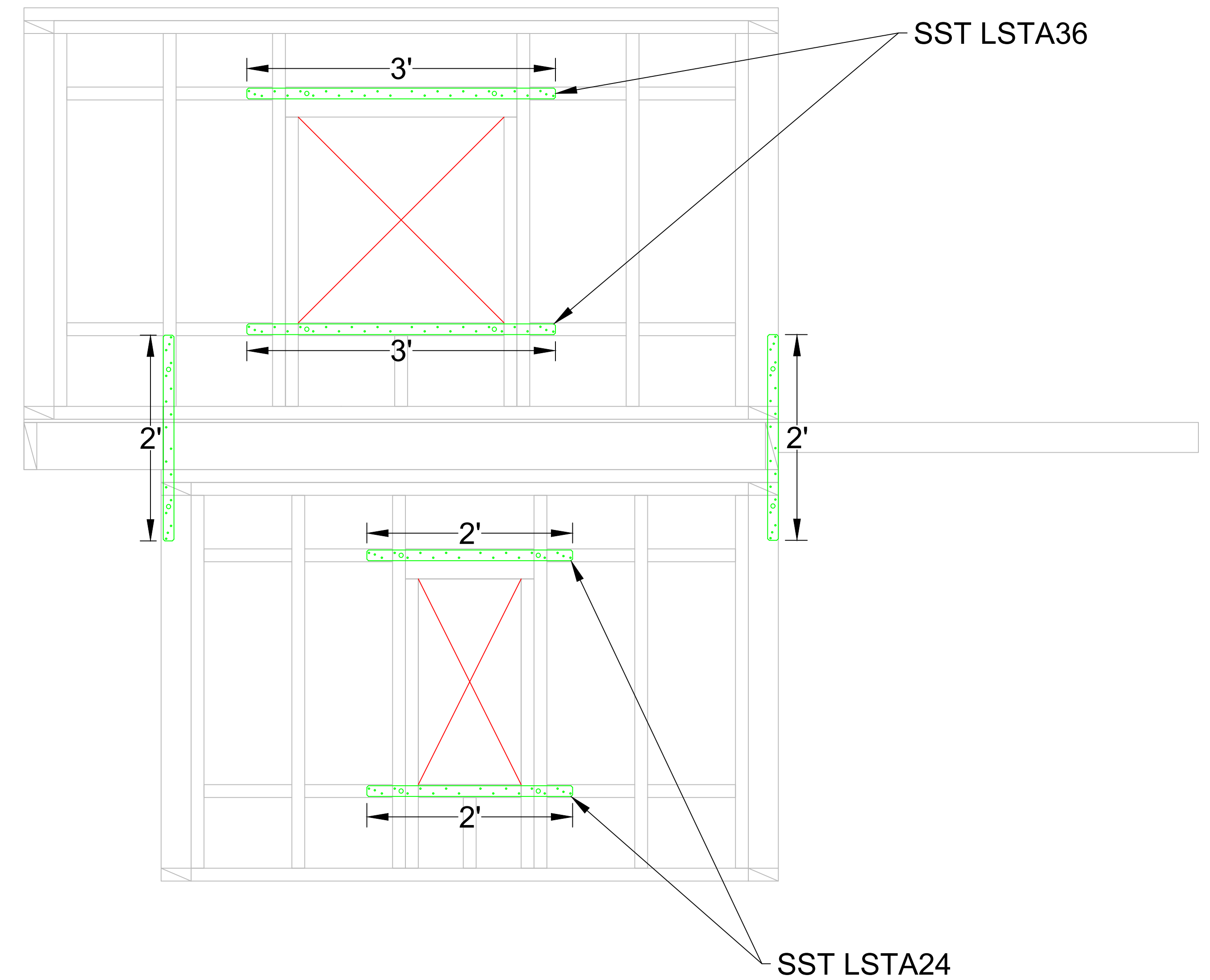
SST LSTA24

**D2: STRAPPING DETAIL - EAST FACE**

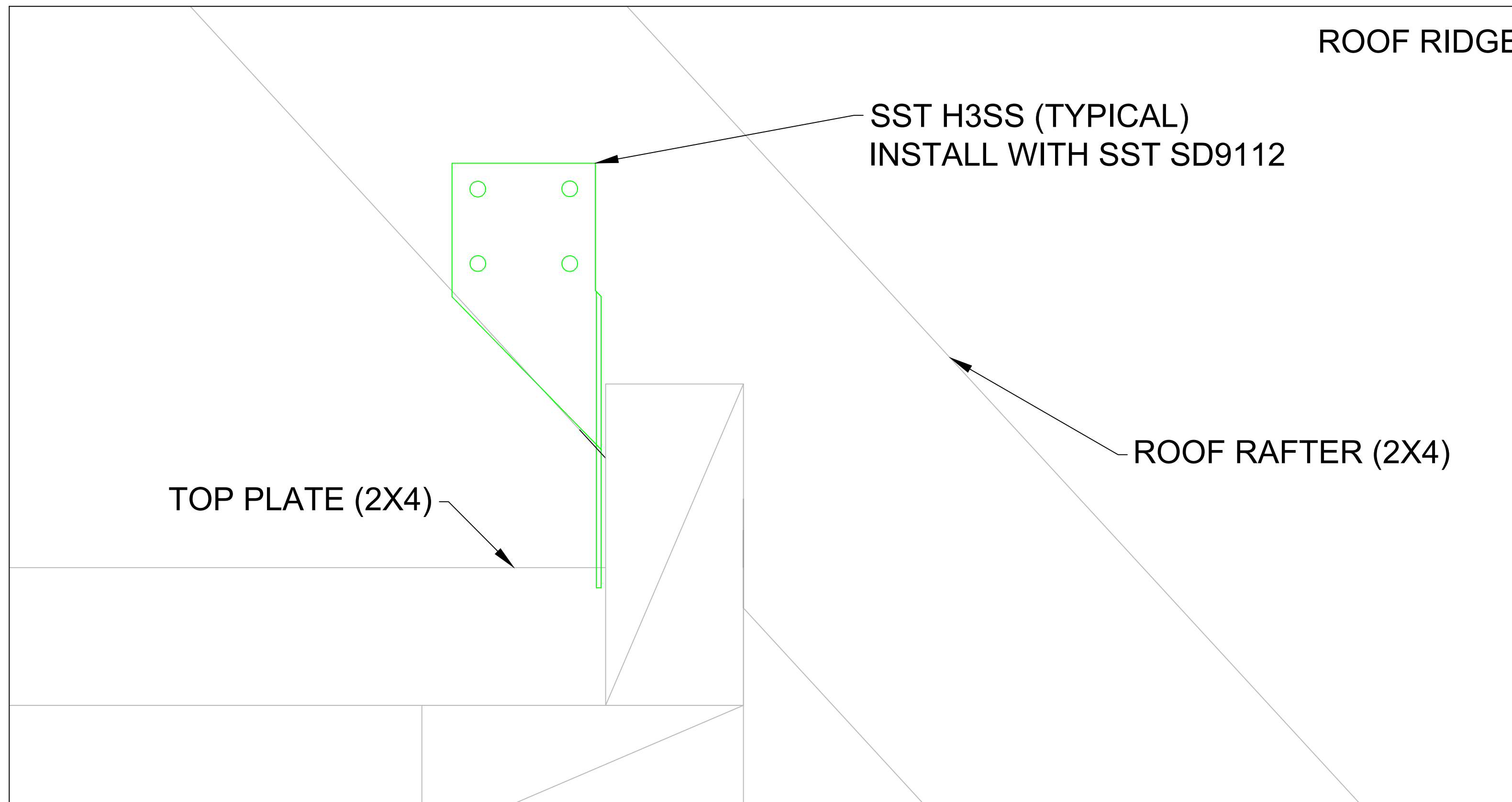
- NOTES:
1. ALL STRAPS INSTALLED USING SST SD9112
  2. ROOF NOT SHOWN FOR CLARITY



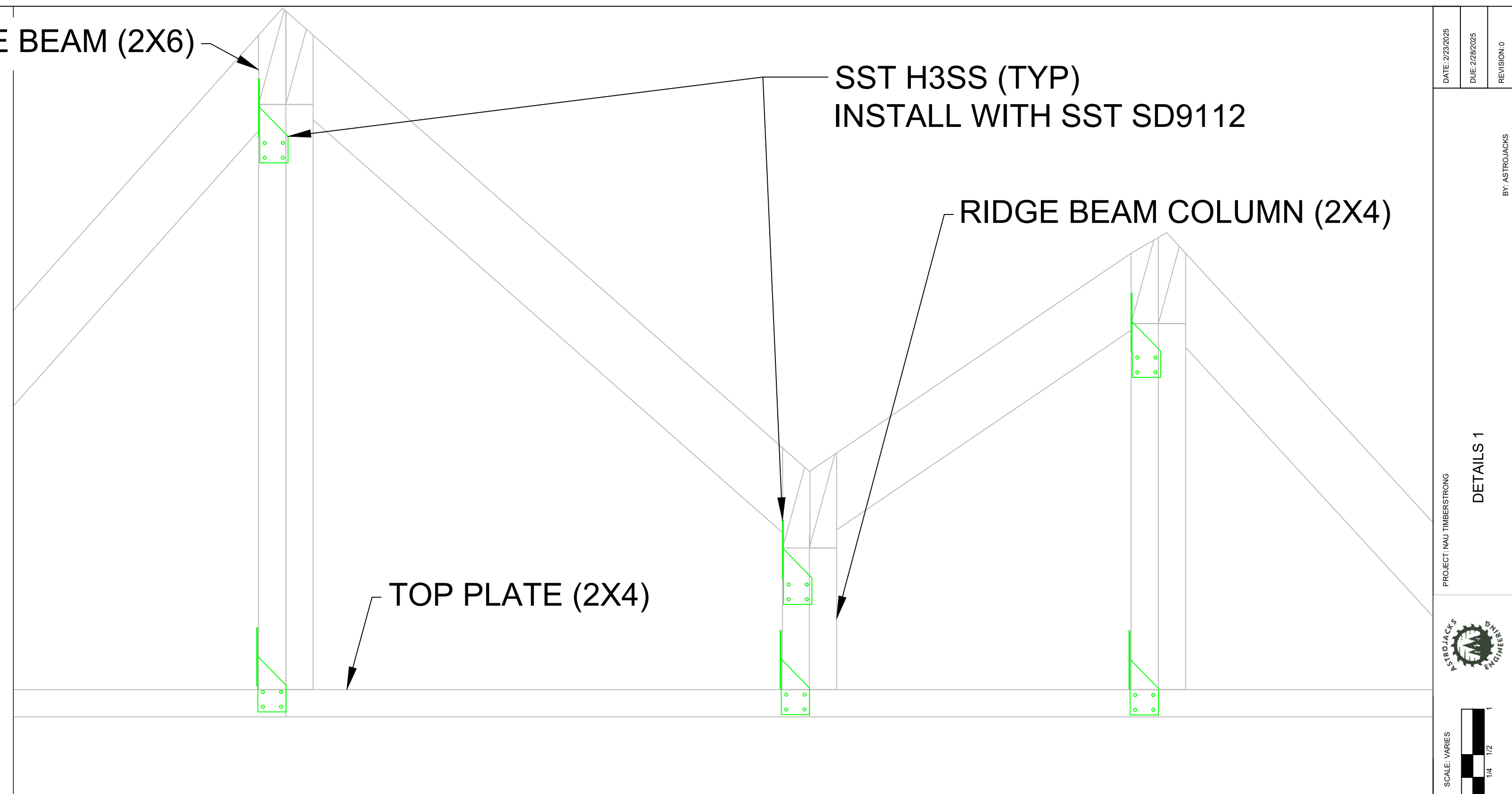
**D3: STRAPPING DETAIL - SOUTH FACE**



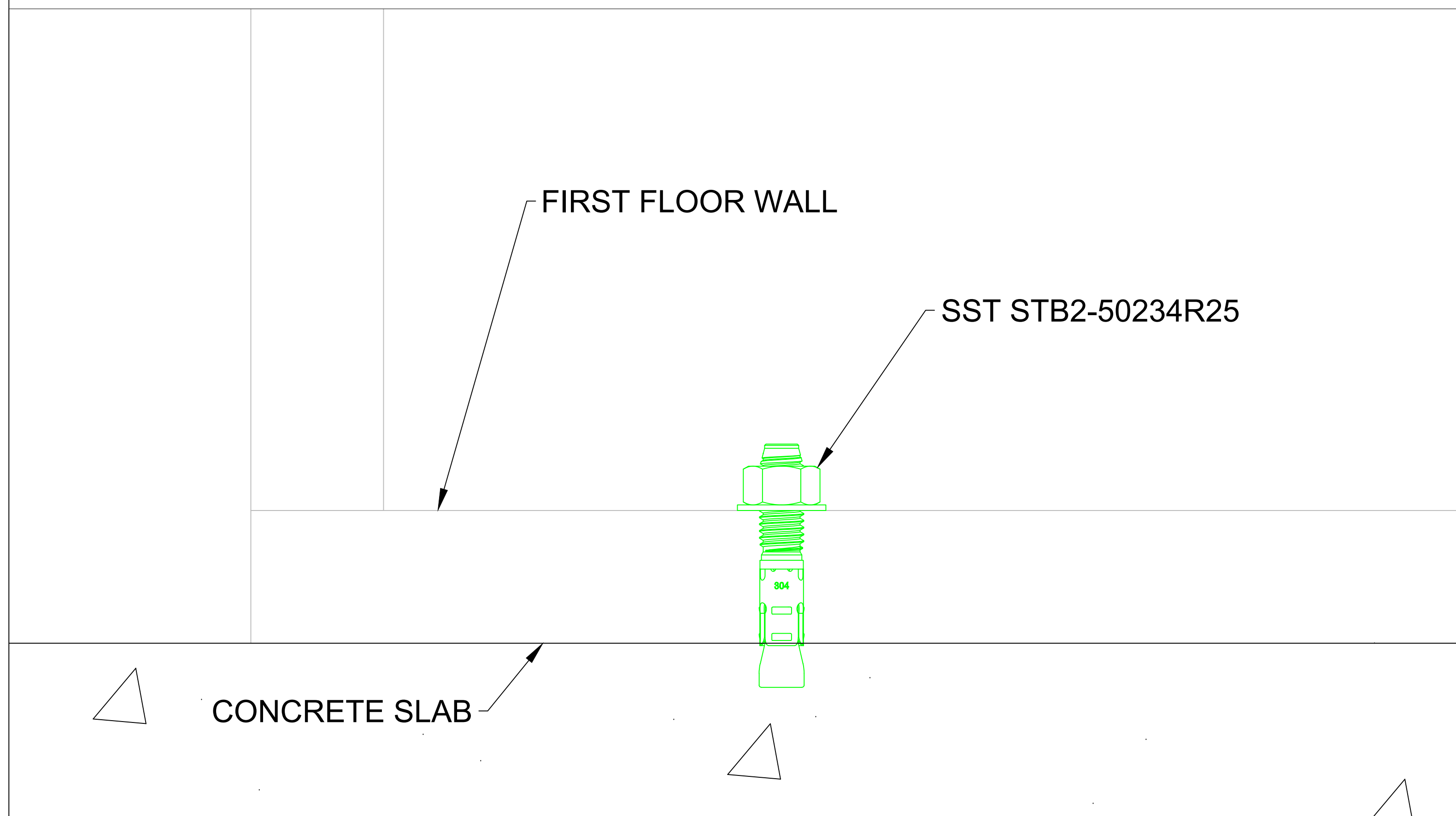
**D4: STRAPPING DETAIL - WEST FACE**



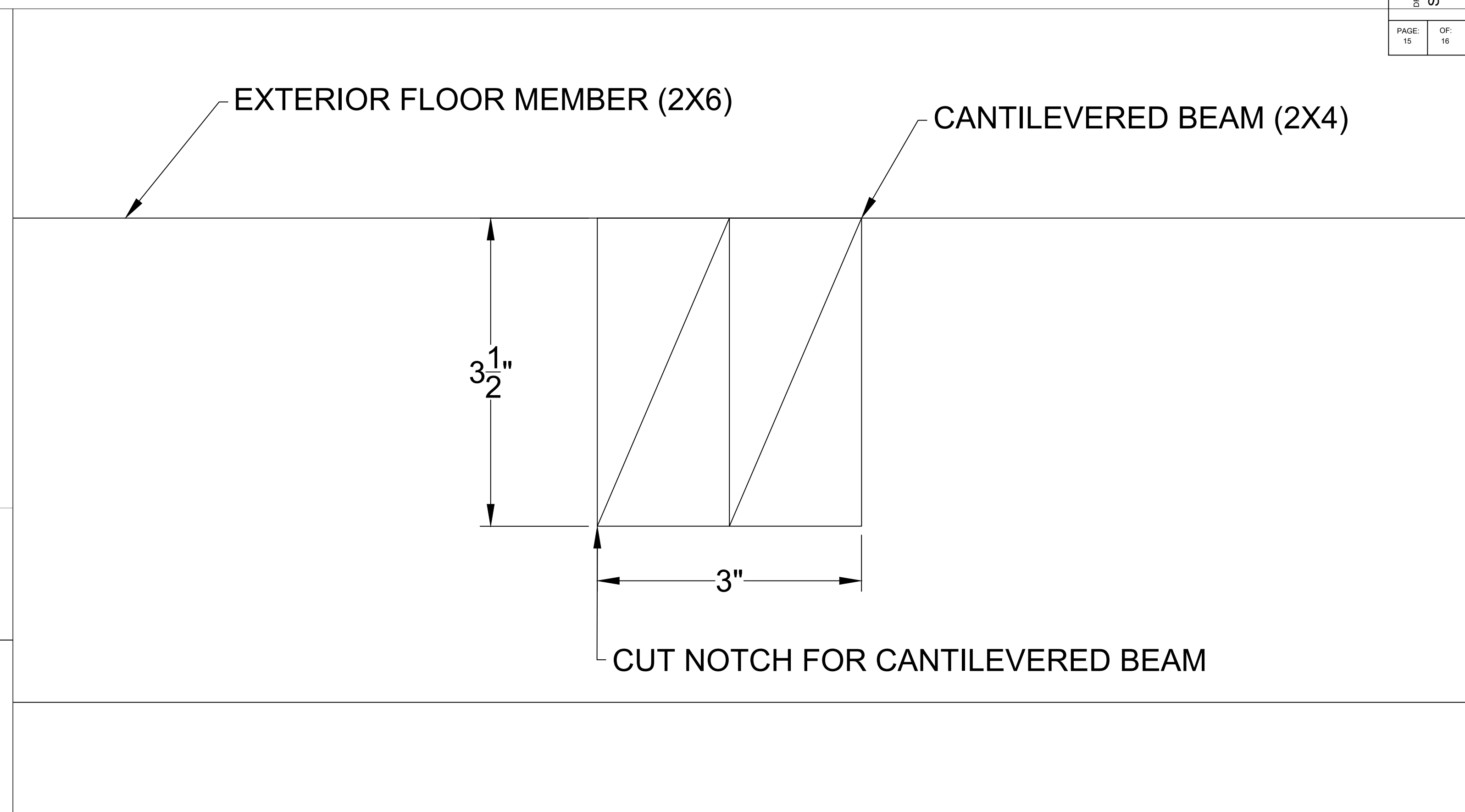
D5 ROOF RAFTER TO WALL CONNECTION  
SCALE: 1:1



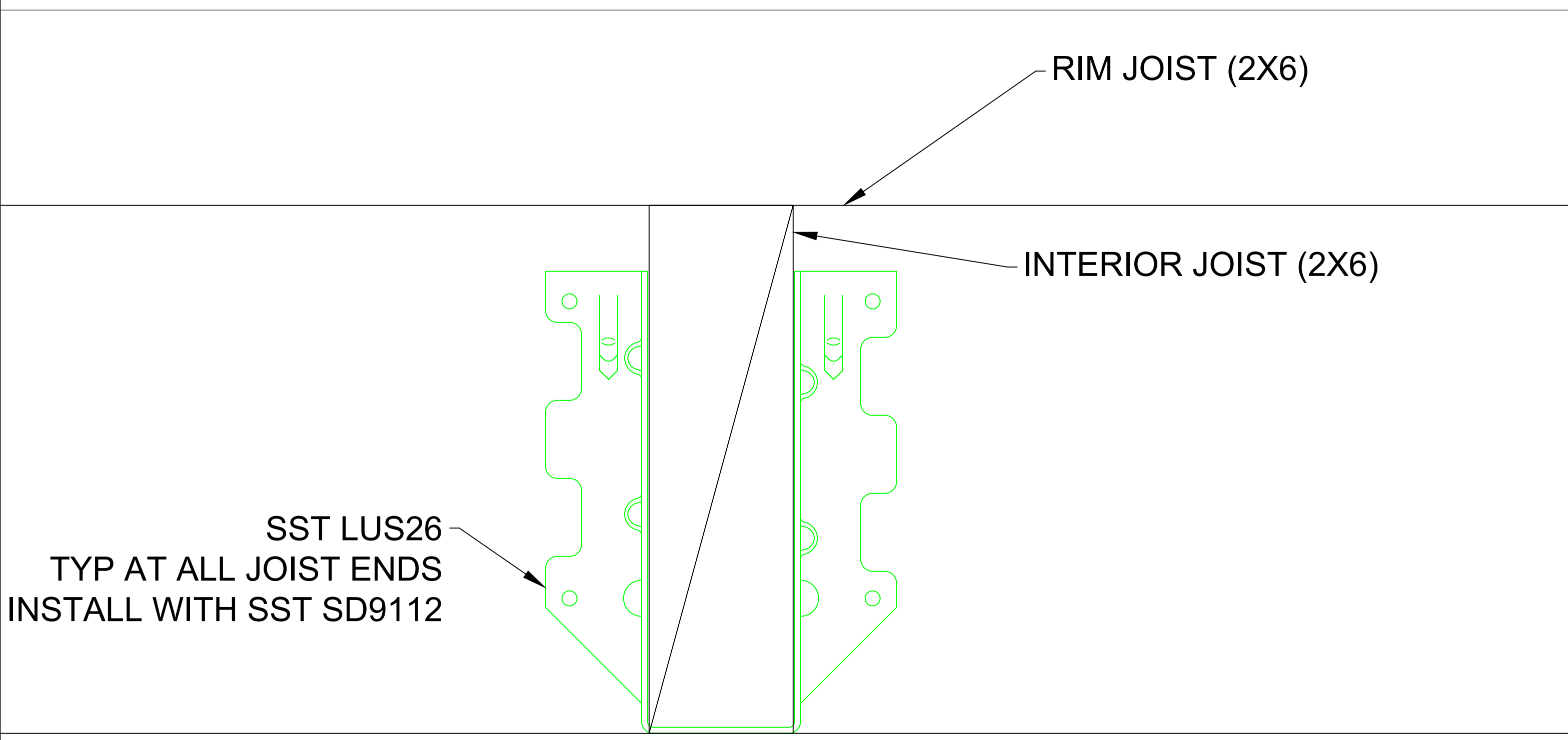
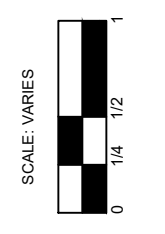
D6 RIDGE BEAM TO WALL CONNECTION  
SCALE: 1" = 5'



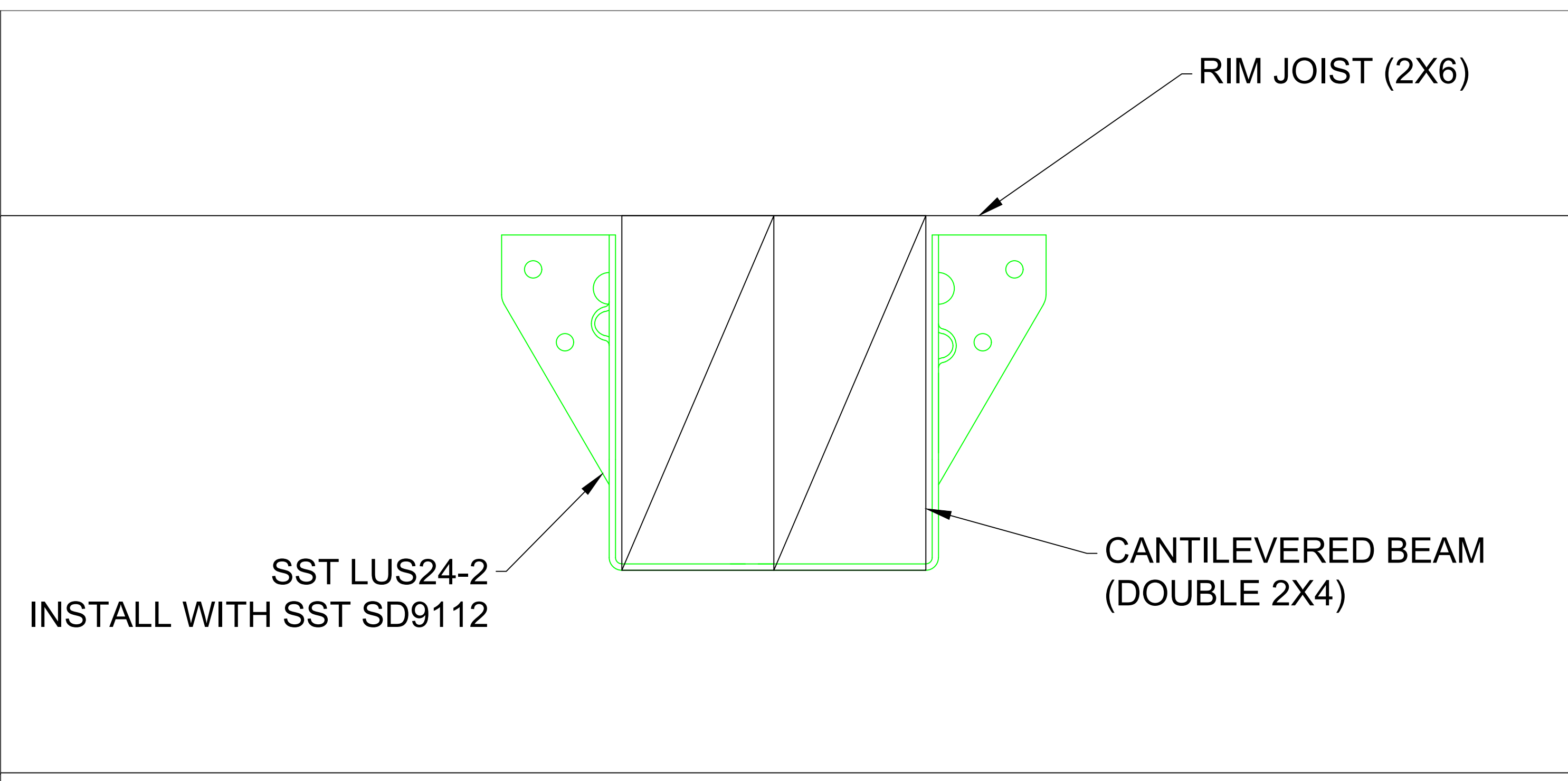
D7 FOUNDATION ANCHORAGE  
SCALE: 1:1



D8 CANTILEVERED BEAM SUPPORT AT SOUTH FACE  
SCALE: 1:1



**D9** JOIST END CONNECTION  
SCALE: 1:1



**D10** CANTILEVERED BEAM END CONNECTION  
SCALE: 1" = 5'